

1/2" & 3/4" Elbows

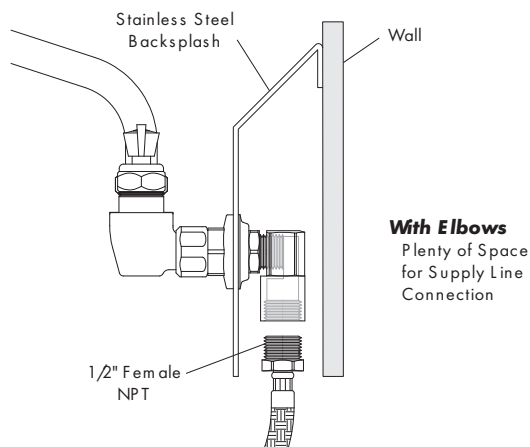
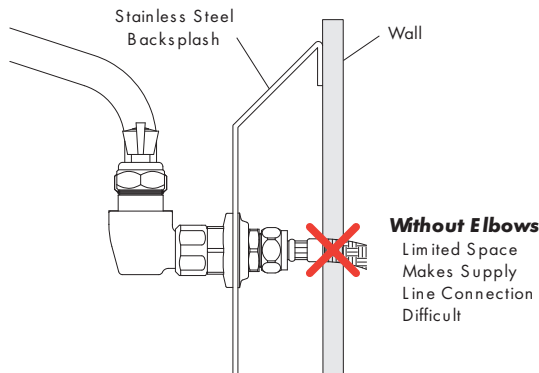


- Elbows Eliminate Crimping and Damage to Supply Lines
- Elbows are Designed to Turn the Water 90° Behind the Backsplash Within the Normal 2" Allowance



Why Are Elbows Needed?

Elbows make installation easier by 'turning' water path 90° so that there is more space to attach the supply lines. Eliminates crimping or other damage to supply lines.



Elbows

- #2400-2103 1/2" Single Brass
- #64211 1/2" Pair Brass
- #71498 1/2" Single Stainless Steel
- #71447 1/2" Pair Stainless Steel
- #5000-2103 3/4" Single Brass

Why Fisher?

- Stainless Steel Seats Guaranteed for Life
- Two Part Swivel Stems for Lower Maintenance Costs
- Stainless Steel Seat Screws
- Stainless Steel Handle Screws

