

# FISHER

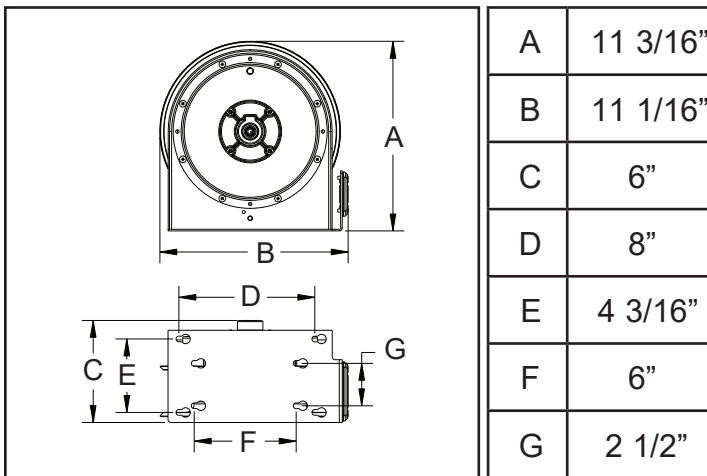


## Operating Instructions

Model: 29841 / 29662

Spring Driven Reel

### Dimensions



### SAFETY

1. Do not use reel at higher pressures or temperatures than listed on the back of these instructions.
2. Remove all spring tension before beginning disassembly process.

**INSTALLATION:** A flexible hose connection must be used between the hose reel inlet and the source of supply to prevent possible misalignment and binding. Turn over the page for more detailed instructions and drawing configuration.

**MOUNTING:** This reel is configured to be under the counter mounted. The hose reel is equipped with a universal mounting bracket so that it can be mounted on the floor, wall or ceiling. In order to modify its factory set position the hose guide arm accessory kit (sold separately) can be moved to the position desired by removing two screws fastening the spring case to the reel base. Shift the guide arm bracket so the hose comes off the reel at the desired position and replace the screws. **CAUTION:** Unless reel was specified differently when ordering, maximum height is 16 feet.

**LUBRICATION:** Hose reel spring and bearings are factory lubricated and require no further lubrication.

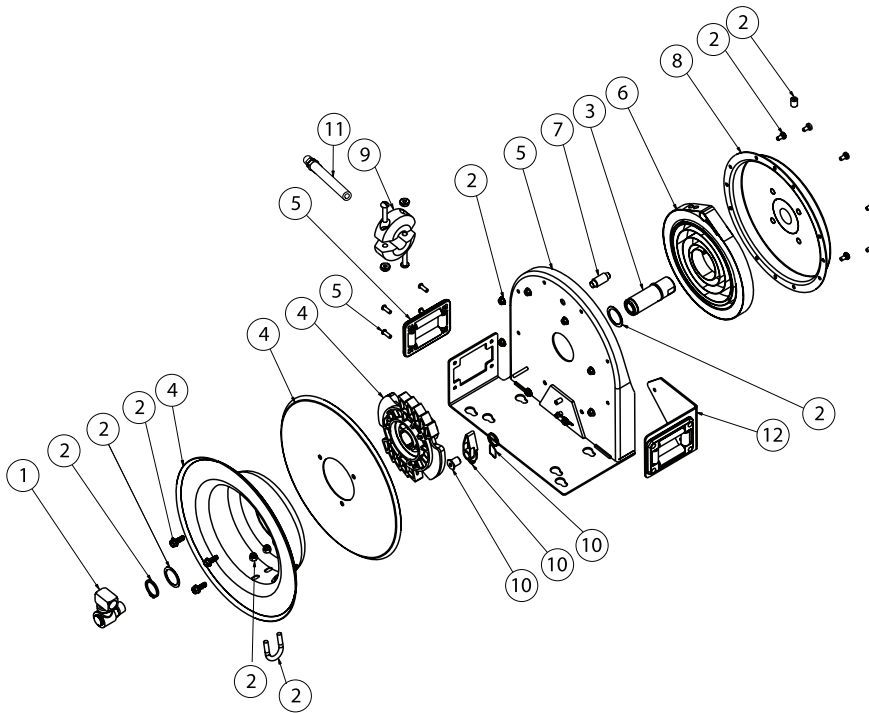
**REPLACING HOSE:**

1. Wind spool flange clockwise-facing swivel until spring is tight
2. Back off three turns and latch.
3. Insert hose through roller guide.
4. Connect hose fitting to swivel joint and secure hose with clamps.

**ADJUSTMENTS:** To adjust spring tension, add or remove wraps of hose from the spool, one wrap at a time until desired tension is obtained.

**REPAIRS:** Extensive repairs should be performed only by an authorized serviceman or factory to avoid damage which may void your warranty. Remove all spring tension before beginning disassembly process.

Part No.75031 Rev.A



Description	29841 or 29662
Hose I.D. and Length	3/8" x 20'
Reel Inlet Connection	3/8" NPT (F)
Hose Outlet Connection	1/4" NPT(M)
Max. Operating Pressure	300 PSI
Max. Operating Temperature	160 °F

Item #	Description	# Req.	Item #	Description	# Req.
1	Swivel and elbow assy, 3/8 LP, 3/8 MPT x FPT	1	5	Base and roller assembly	1
2	Hardware Kit	1		Tube rivet	4
	Spacing washer 1.005 ID x 1.312 OD x .020 THK	2		Universal roller (2")	1
	Snap ring	1		Base weldment assembly	1
	Hex washer screw	3	6	Drive spring assembly	1
	Hex lock nut M5	8	7	Spring case stud	1
	Machine screw M5 x 10	8	8	Spring case assembly	1
	Screw set 3/8-16 x 1/2	1	9	Bumper assembly	2
	Nyloc nut M6	2	10	Latch pawl assembly	1
	U-bolt	1		Latch pin	1
3	Main shaft with snap ring	1		Latch pawl	1
4	Sheave Assembly	1		Torsion spring	1
	Sheave flange	1	11	Hose assembly	1
	Sheave disc	1	12	Guide arm assembly w/ hardware (sold separately)	1
	Ratchet arbor	1			

Model: 74989 Reel Kit Utility Spray Valve / Pro Spray

Item	# Part	# Req.	Description
13	75066	1	Hose RR 3/8m x 1/2f x 1 1/2 ft
14	2900-3309	1	Bushing 1/4f x 3/8m brs
15	2980-R020	1	Tube vinyl clear 6 inch
16	2913-3/8	1	Handle 3/4-14f X 3/8f
17	2922-5000	1	Gasket Handle
18	2920 or 2990	1	Utility Spray Valve or Pro Spray
19	3298	1	PST Thread Sealant

⚠ NOTE: Apply PST or Plumber Tape on the following locations to prevent any leaks.

1. Connect the lead-in line (13) to the reel (29841 / 29662) inlet located on the right-hand side of the hose reel, by applying PST (19) or plumbers tape on the male 3/8" NPT threads on the lead-in line (13) and thread it to the reel (29841) using a wrench to support the swivel while tightening the lead-in line.
2. Connect the 1/2" female end of the lead-in line (13) to the water supply using PST (19) or plumbers tape and tighten.
3. Turn on water supply and flush the reel line to remove any debris from the reel for a few seconds and then turn off water supply.
4. Attach the bushing (14) to the reel hose (11) By applying PST (19) or plumbers tape on the 1/4" NPT male threads on reel hose and tighten.
5. Slide the clear vinyl tube (15) over the reel hose up to the bumper (9).
6. Attach the handle (16) to the reel hose (11). By applying PST (19) or plumbers tape on the 3/8" NPT male threads on reel hose and tighten.
7. Insert the gasket handle (17) into the handle (16) and then connect the pro spray valve (18).
8. Turn water supply on and check for leaks.

