



FISHER MANUFACTURING COMPANY TOLL FREE: 800-421-6162 - FAX: 800-832-8238
customer@fisher-mfg.com - www.fisher-mfg.com

PRODUCT NAME:

SPRAY HEAD 3/8" F INLET

SPEC. CPRB-PRSH-XX

Customer/Wholesaler:

Date:

Job Name:

Model Specified:

Quantity:

Contractor:

Architect/Engineer:

MODEL:

2923 SPRAY HEAD 3/8" F INLET

OPTIONS OR MODIFICATIONS:

OTHER _____

FEATURES

- * BLACK DISH GUARD BUMPER
- * SHOWER SPRAY PATTERN

SYSTEM LIMITS

- * TEMP: 40°F MIN. TO 160°F MAX.
- * PRESSURE 200 PSI MAX. STATIC
- * 2.15 GPM AT 60 PSI (8.14 L/min @410 KPa)

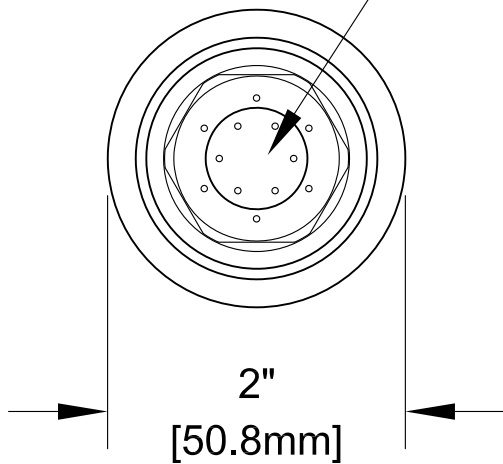
SHIPPING WEIGHT

- * 0.3800

PRODUCT COMPLIANCE:

- * ASME A112.18.1 / CSA B125.1
- * NSF 61 - Section 9
- * NSF 372 (Low Lead Content)

SHOWER
SPRAY PATTERN



3/8-18 NPT

BLACK
BUMPER

