

APPLICATION:

PRODUCT NAME:
SWIVEL PRERINSE ARM

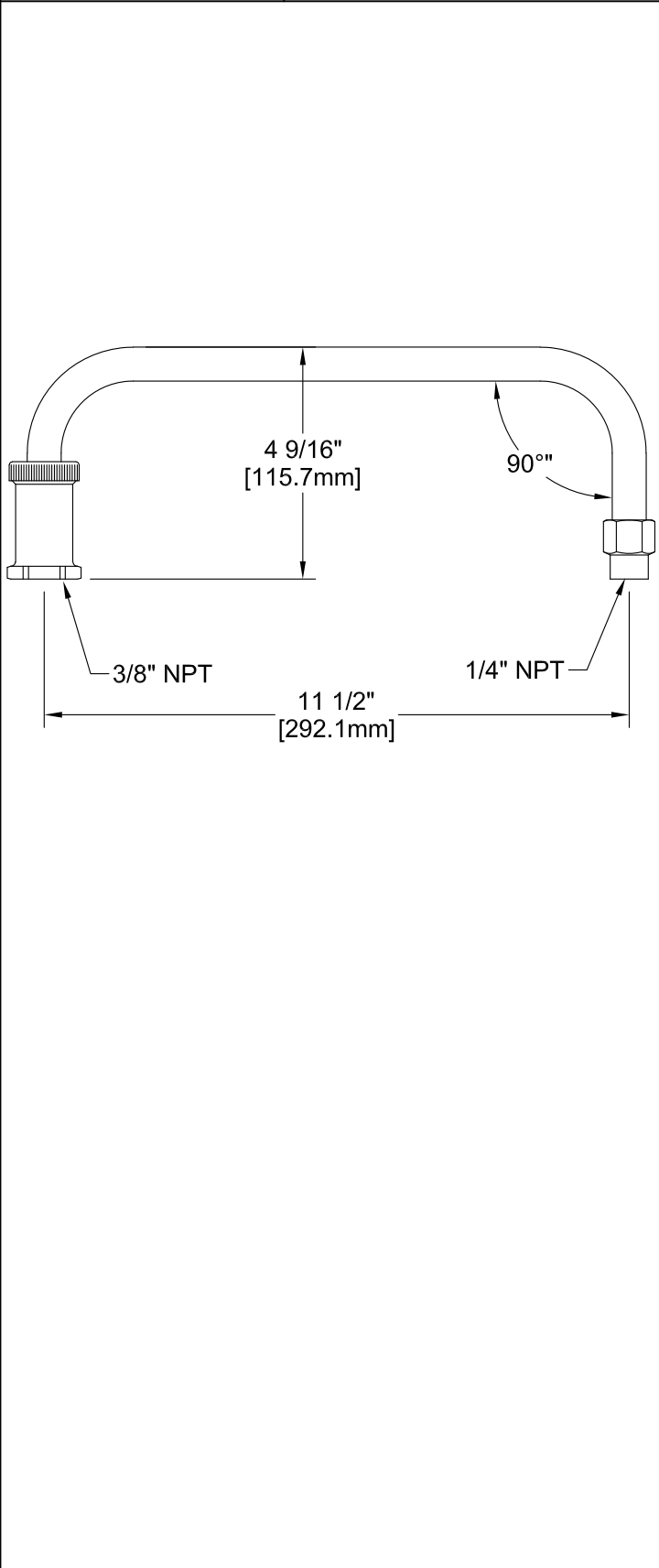
JOB NAME:

MODEL:
 2011-0000 SWIVEL PRERINSE ARM

QUANTITY:

ITEM NO.:

OPTIONS OR MODIFICATIONS:
 OTHER _____



FEATURES

- SWIVEL GOOSENECK
- * REDUCER 3/8F X 1/4F
- * ADAPTER 3/8F X PR SVL

- SYSTEM LIMITS
- * TEMP: 40°F MIN. TO 160°F MAX.
- * PRESSURE: 200 PSI MAX. STATIC

- SHIPPING WEIGHT
- * 1.5 LBS

- PRODUCT COMPLIANCE:
- * ASME A112.18.1 / CSA B125.1
- * NSF 61 - Section 9
- * NSF 372 (Low Lead Content)



FISHER MANUFACTURING COMPANY
 TOLL FREE: 800-421-6162 - FAX: 800-832-8238
 information@fisher-mfg.com - www.fisher-mfg.com