

APPLICATION:

PRODUCT NAME:  
**GLASS FILLER VALVE**

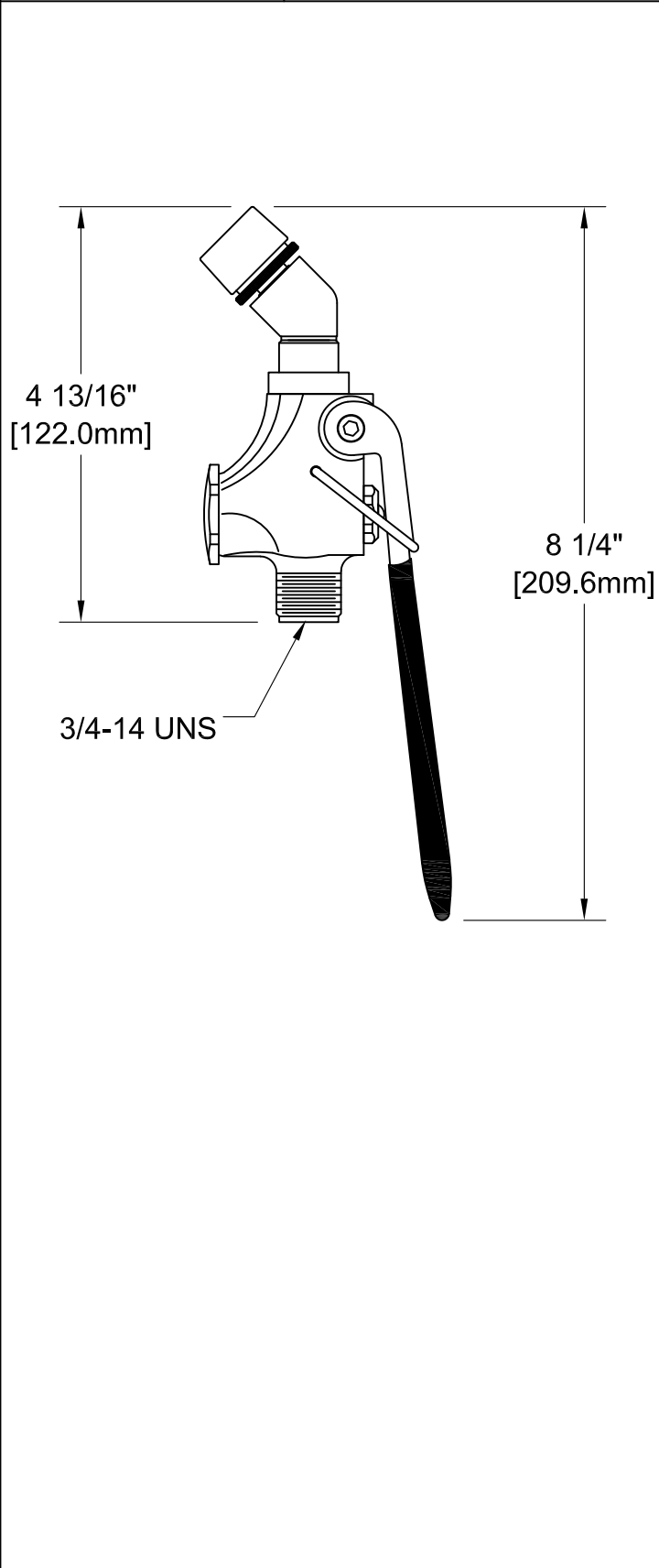
JOB NAME:

MODEL:

QUANTITY:

ITEM NO.:

10820 GLASS FILLER VALVE



OPTIONS OR MODIFICATIONS:  
 OTHER \_\_\_\_\_

- FEATURES**
- GLASS FILLER VALVE
- \* GLASS FILLER NOZZLE THREADED INTO BODY
  - \* BRONZE HANDLE - NOT PLASTIC - MEANS FULL "ON"
  - \* BUILT-IN SPRAY HANDLE CLIP
  - \* FITS ALL BRANDS

- SYSTEM LIMITS**
- \* TEMP: 40°F MIN. TO 160°F MAX.
  - \* PRESSURE: 200 PSI MAX. STATIC

- SHIPPING WEIGHT**
- \* 1.25 LBS



FISHER MANUFACTURING COMPANY  
 TOLL FREE: 800-421-6162 - FAX: 800-832-8238  
 information@fisher-mfg.com - www.fisher-mfg.com