

APPLICATION:

PRODUCT NAME:
POT FILLER VALVE

JOB NAME:

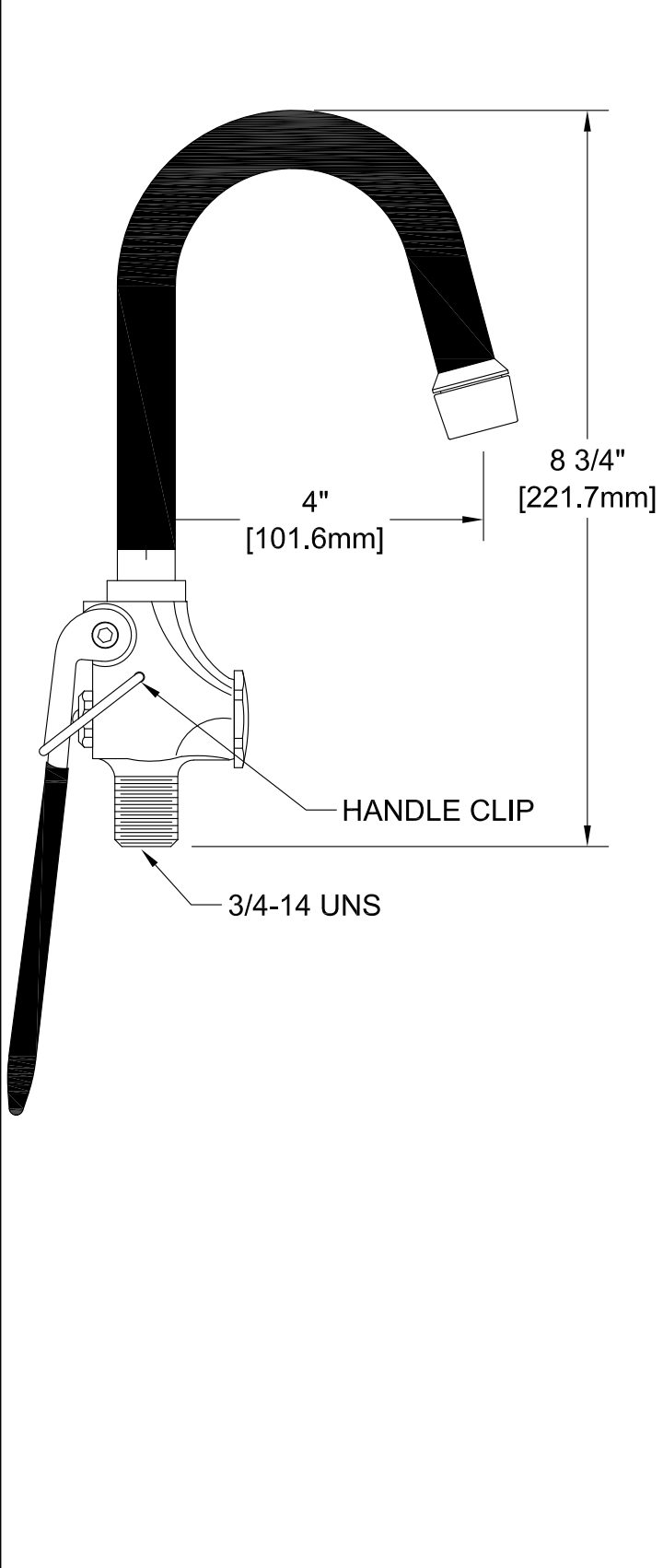
MODEL:

QUANTITY:

ITEM NO.:

11061 POT FILLER VALVE

OPTIONS OR MODIFICATIONS:
 OTHER _____



FEATURES
POT FILLER VALVE
* BRONZE HANDLE - NOT PLASTIC - MEANS FULL "ON"
* FITS ALL BRANDS

SYSTEM LIMITS
* TEMP: 40°F MIN. TO 160°F MAX.
* PRESSURE: 200 PSI MAX. STATIC

SHIPPING WEIGHT
* 2.0 LBS



FISHER MANUFACTURING COMPANY
TOLL FREE: 800-421-6162 - FAX: 800-832-8238
information@fisher-mfg.com - www.fisher-mfg.com