

APPLICATION:

PRODUCT NAME: PRO SPRAY VALVE

JOB NAME:

SPECIAL CONFIGURATION
 CHECK BASE MODEL AND OPTIONS

QUANTITY:

ITEM NO.:

MODEL:

2990 W/ 2.65 GPM NOZZLE

OPTIONS OR MODIFICATIONS:

SNAP-IN SCRUB BRUSH

OTHER _____

FEATURES

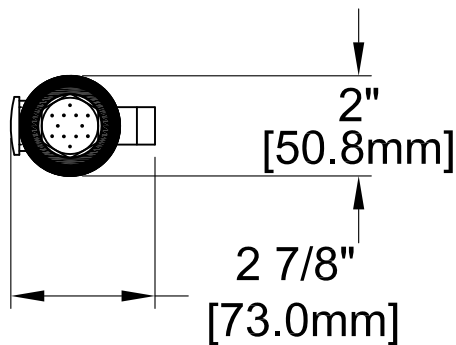
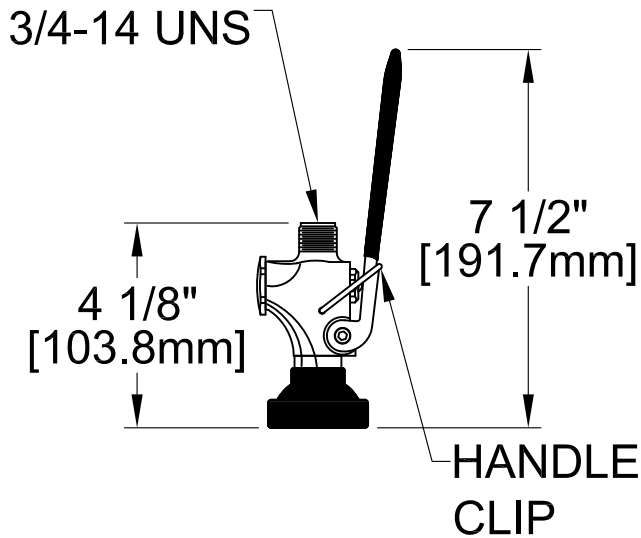
- * FITS ALL BRANDS
- * SPRAY NOZZLE THREADED INTO BODY
- * HIGH STRENGTH BRONZE ALLOY HANDLE
- * BLACK DISH GUARD BUMPER
- * BUILT-IN SPRAY HANDLE CLIP
- * SHOWER SPRAY PATTERN

SYSTEM LIMITS

- * TEMP: 40°F MIN. TO 160°F MAX.
- * PRESSURE 200 PSI MAX. STATIC
- * 2.65 GPM AT 80 PSI

SHIPPING WEIGHT

* 1.5 LBS



FISHER

FISHER MANUFACTURING COMPANY
TOLL FREE: 800-421-6162 - FAX: 800-832-8238
information@fisher-mfg.com - www.fisher-mfg.com