

APPLICATION:

PRODUCT NAME:
UTILITY SPRAY VALVE

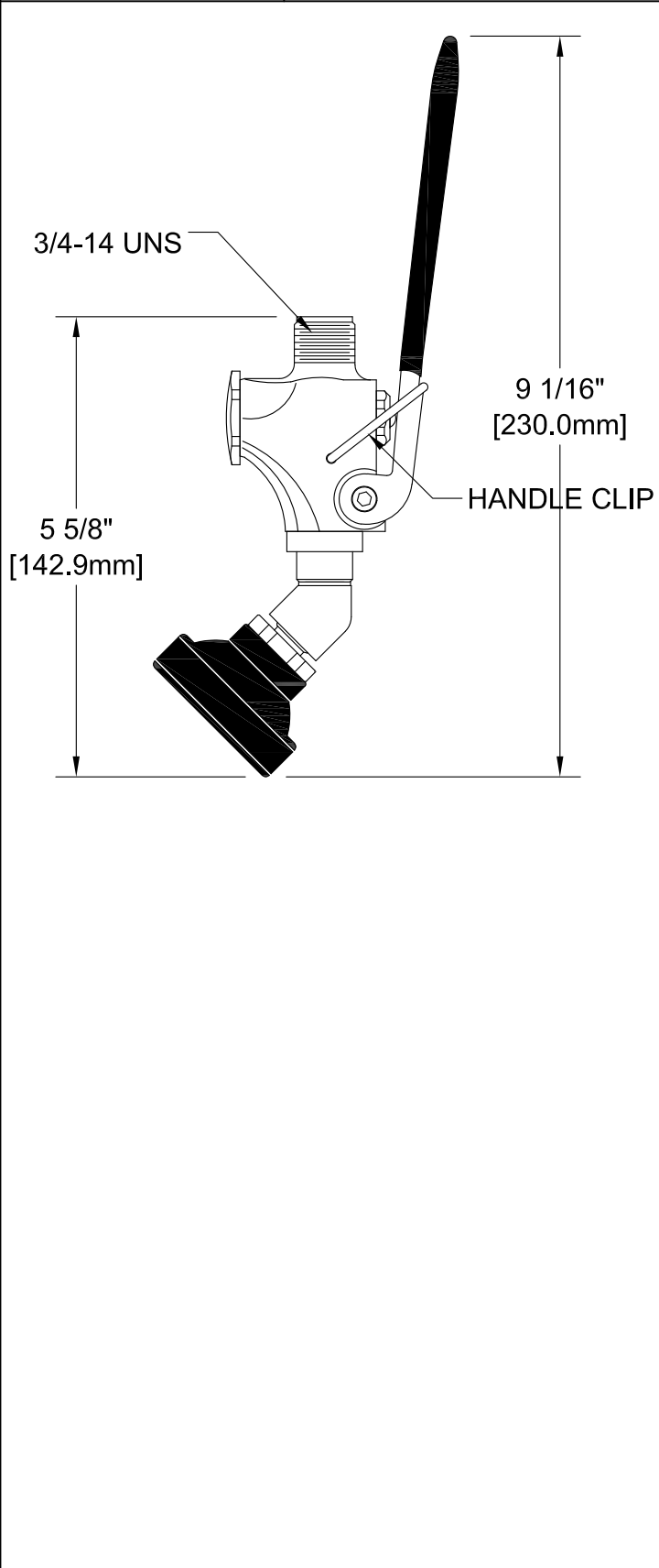
JOB NAME:

MODEL:

QUANTITY:

ITEM NO.:

2920 UTILITY SPRAY VALVE



OPTIONS OR MODIFICATIONS:
 OTHER _____

- FEATURES
- SPRAY VALVE
- * SPRAY NOZZLE THREADED INTO BODY
 - * BRONZE HANDLE - NOT PLASTIC - MEANS FULL "ON"
 - * BLACK DISH GUARD BUMPER
 - * BUILT-IN SPRAY HANDLE CLIP
 - * FITS ALL BRANDS

- SYSTEM LIMITS
- * TEMP: 40°F MIN. TO 160°F MAX.
 - * PRESSURE: 200 PSI MAX. STATIC

- SHIPPING WEIGHT
- * 2.0 LBS



FISHER MANUFACTURING COMPANY
 TOLL FREE: 800-421-6162 - FAX: 800-832-8238
 information@fisher-mfg.com - www.fisher-mfg.com