

# FISHER<sup>®</sup>

FISHER MANUFACTURING COMPANY TOLL FREE: 800-421-6162 - FAX: 800-832-8238  
customer@fisherfaucets.com - www.fisherfaucets.com

PRODUCT NAME:

CONTROL VALVE SDDLH R/S CD

Customer/Wholesaler:

Date:

Job Name:

Model Specified: 13060

Quantity:

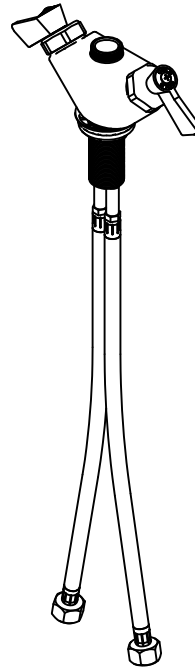
Contractor:

Architect/Engineer:

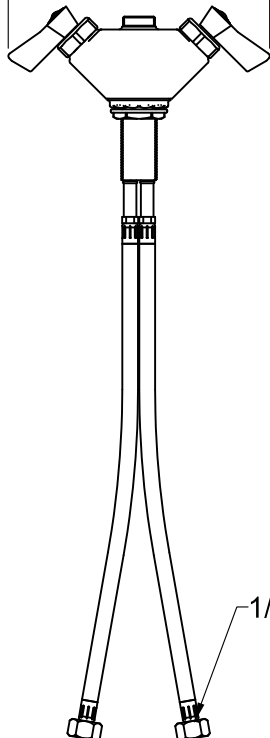
SPEC. CVCB-SO-SDDL



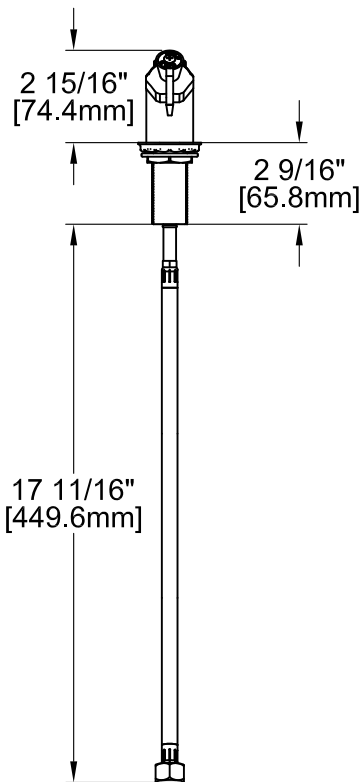
QUARTER TURN CERAMIC DISC CARTRIDGES WITH CHECK STEMS AND COLOR CODED INDEXES



8 5/16"  
[210.6mm]



1/2" FEMALE NPT



PRODUCT SPECIFICATIONS:  
SINGLE DECK DUAL CONTROL MOUNT MIXING FAUCET,  
QUARTER TURN CERAMIC DISC CARTRIDGES WITH LEVER  
HANDLES, 1/2" FEMALE NPT INLET.

PRODUCT COMPLIANCE:  
ASME A112.18.1 / CSA B125.1  
NSF 61 - Section 9  
NSF 372 (Low Lead Content)

Drawn: DF

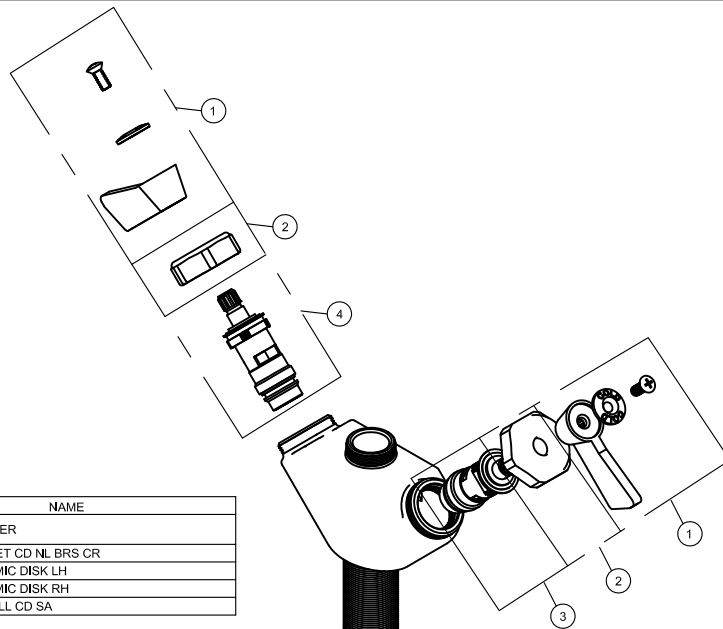
Checked: EM

Approved: DF

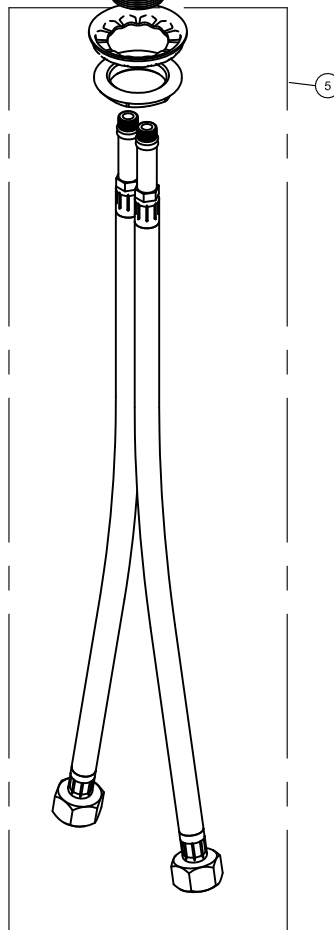
Date: 11/16/23

Sheet: 1 of 2

Customer/Wholesaler:	Date:	Job Name:	Model Specified: 13060	Quantity:
Contractor:		Architect/Engineer:		



NO.	QTY.	ITEM	NAME
1	2	2000-0002	HANDLE KIT LEVER
2	2	75957	BIBB CAP FAUCET CD NL BRS CR
3	1	75958	STEM 1/2 CERAMIC DISK LH
4	1	75959	STEM 1/2 CERAMIC DISK RH
5	1	75842	KIT SDDC INSTALL CD SA



**PRODUCT SPECIFICATIONS:**  
 SINGLE DECK DUAL CONTROL MOUNT MIXING FAUCET,  
 QUARTER TURN CERAMIC DISC CARTRIDGES WITH LEVER  
 HANDLES, 1/2" FEMALE NPT INLET.

**PRODUCT COMPLIANCE:**  
 ASME A112.18.1 / CSA B125.1  
 NSF 61 - Section 9  
 NSF 372 (Low Lead Content)