

APPLICATION:

JOB NAME:

QUANTITY: ITEM NO.

PRODUCT NAME: STAINLESS STEEL
 8" ADJ. WALL CONTROL VALVE
 SWIVEL OUTLET

SPECIAL CONFIGURATION
 CHECK BASE MODEL AND OPTIONS

MODEL:
 23698

OPTIONS OR MODIFICATIONS:

SUPPLY LINES (24" OR 36") CIRCLE LENGTH

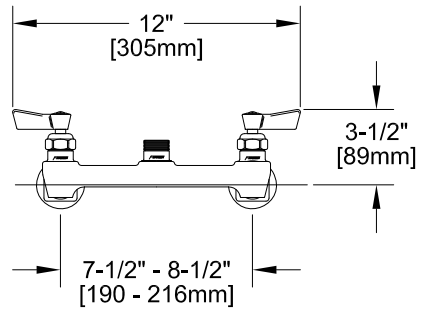
NIPPLES

ELBOWS

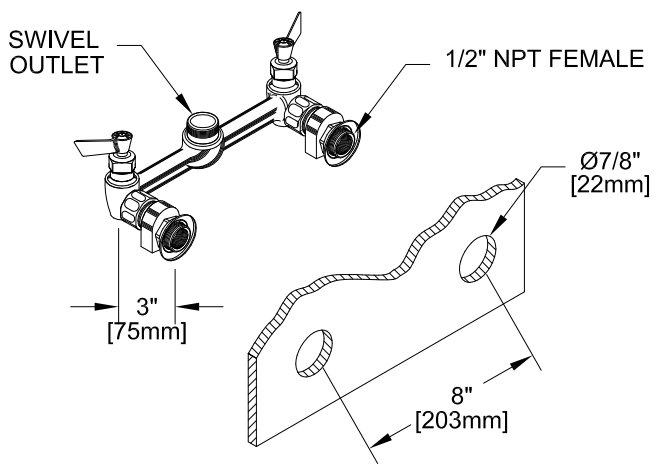
HANDLES (CROSS OR WRIST) CIRCLE STYLE

VANDAL RESISTANT KIT

OTHER _____



ROUGH-IN:



FEATURES

CONTROL VALVE

- * ECCENTRICS ADJUST FROM 7-1/2" TO 8-1/2"
- * INTERNAL SPRING LOADED CHECK VALVES
- * SWIVELLING SEAT DISKS
- * HOT SIDE STEM - RIGHT HAND
- * COLD SIDE STEM - LEFT HAND
- * STAINLESS STEEL SEATS
- * STAINLESS STEEL SEAT SCREWS
- * STAINLESS STEEL HANDLE SCREWS

SYSTEM LIMITS

- * TEMP: 40°F MIN. TO 160°F MAX.
- * PRESSURE: 200 PSI MAX. STATIC
- * 2.20 GPM @ 80 PSI

SHIPPING WEIGHT

- * 4.0 LBS