

APPLICATION:

PRODUCT NAME:
DRAINING FLAT STRAINER

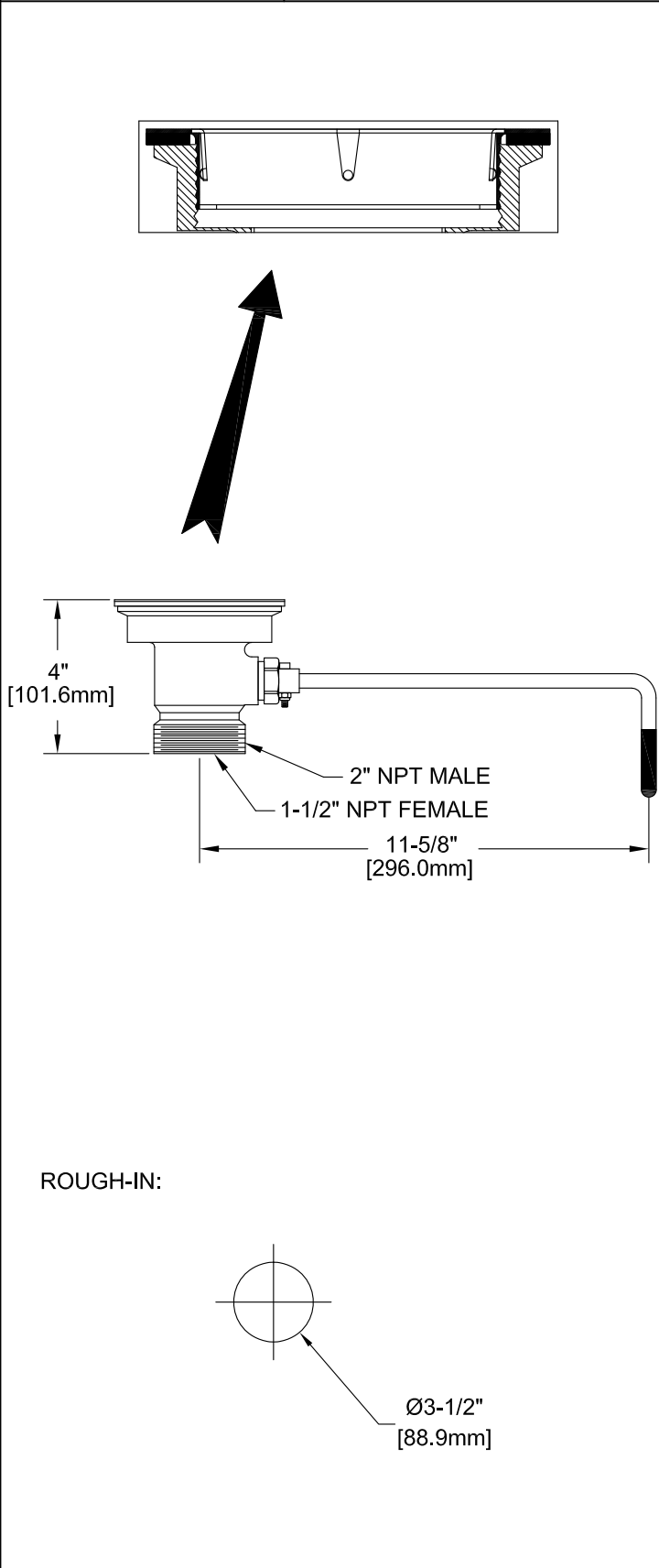
JOB NAME:

MODEL:

QUANTITY:

ITEM NO.:

- 22209 DRAINING FLAT STRAINER BRASS
- 28932 DRAINING FLAT STRAINER CHROME



OPTIONS OR MODIFICATIONS:

- OTHER _____

FEATURES:

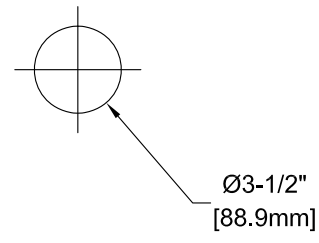
- * DUAL TEFLON SEALS
- * STAINLESS STEEL BALL
- * CAST RED BRASS BODY
- * EXTRA STURDY STAINLESS STEEL CLAMPING RING
- * "CLEAR THROUGH" OPENING - NO NEED TO DISASSEMBLE IF SNAKING IS REQUIRED
- * INDUSTRY STANDARD "SEALING" ANGLE - FITS FLUSH TO STANDARD STAINLESS STEEL SINKS
- * STAINLESS STEEL FLAT STRAINER
- * 1/4 TURN FULLY OPENS AND CLOSES VALVE

DRAIN RATE:
* 12 GPM

SHIPPING WEIGHT
* 5.0 LBS

PRODUCT COMPLIANCE:
* ASME A112.18.2 / CSA B125.2

ROUGH-IN:



FISHER MANUFACTURING COMPANY
 TOLL FREE: 800-421-6162 - FAX: 800-832-8238
 information@fisher-mfg.com - www.fisher-mfg.com