

APPLICATION:

PRODUCT NAME:
DrainKing WASTE VALVE

JOB NAME:

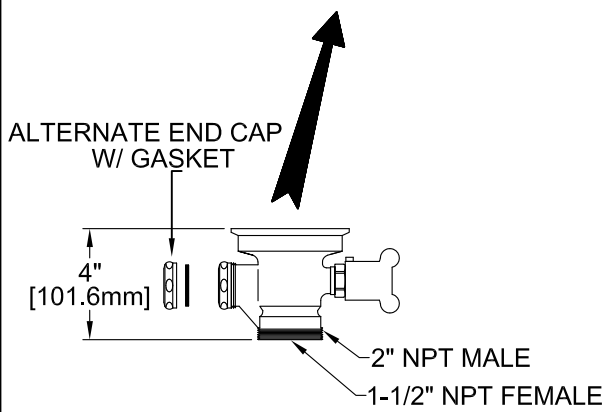
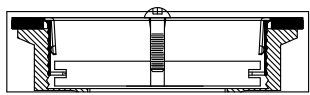
MODEL:

QUANTITY:

ITEM NO.:

- 22446 DRAINING FLAT STRAINER VR KNOB OVERFLOW BRASS
- 29041 DRAINING FLAT STRAINER VR KNOB OVERFLOW CHROME

OPTIONS OR MODIFICATIONS:
 OTHER _____

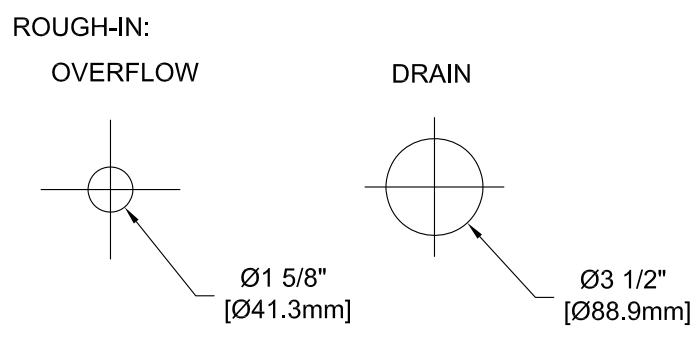
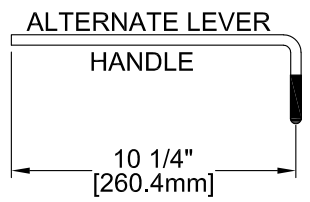


- FEATURES:
- * DUAL TEFLON SEALS
 - * STAINLESS STEEL BALL
 - * CAST RED BRASS BODY
 - * EXTRA SURDY STAINLESS STEEL CLAMPING RING
 - * "CLEAR THROUGH" OPENING, NO NEED TO DISASSEMBLE IF SNAKING IS REQUIRED
 - * INDUSTRY STANDARD "SEALING" ANGLE - FITS FLUSH TO STANDARD STAINLESS STEEL SINKS
 - * VANDAL RESISTANT STAINLESS STEEL FLAT STRAINER
 - * VANDAL RESISTANT KNOB
 - * END CAP W/ GASKET INSTALLED
 - * 1/4 TURN FULLY OPENS AND CLOSES VALVE
 - * SUPPLIED WITH:
 - ALTERNATE LEVER HANDLE
 - ALTERNATE SLIP JOINT NUT & WASHER

DRAIN RATE:
* 12 GPM

SHIPPING WEIGHT
* 5.5 LBS

PRODUCT COMPLIANCE:
* ASME A112.18.2 / CSA B125.2



FISHER MANUFACTURING COMPANY
 TOLL FREE: 800-421-6162 - FAX: 800-832-8238
 information@fisher-mfg.com - www.fisher-mfg.com