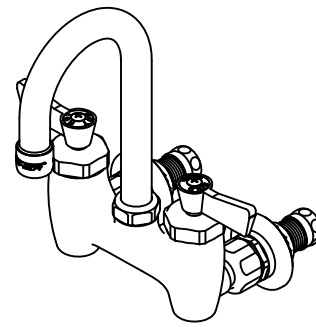
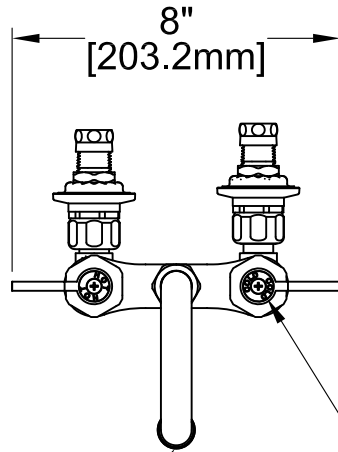


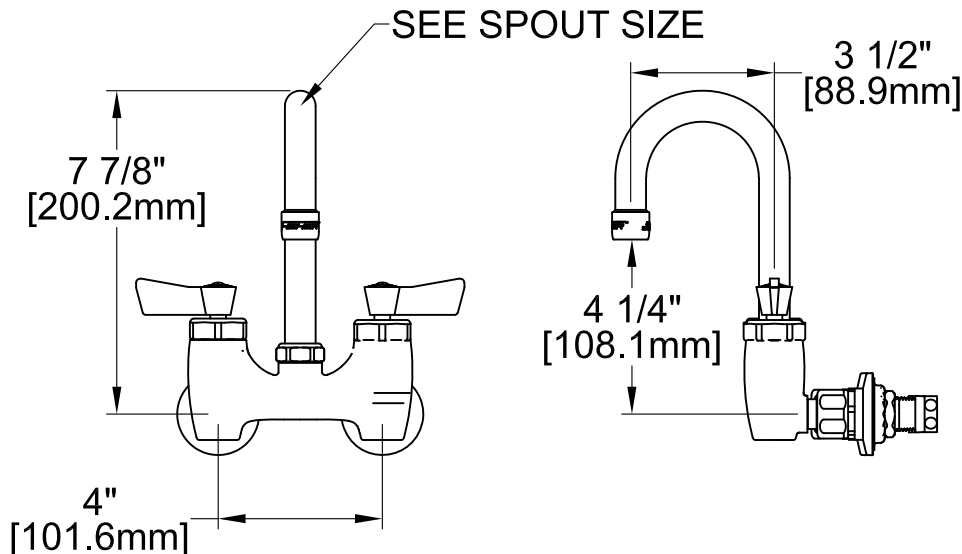
Customer/Wholesaler:	Date:	Job Name:	Model Specified:	Quantity:
Contractor:		Architect/Engineer:		

MODEL	DESCRIPTION	SPOUT SIZE
<input type="checkbox"/> 19960	FAUCET 4BSCDLH	06SGN
<input type="checkbox"/> 36150	FAUCET 4BSCDLH	12SGN



GOOSE NECK  
SPOUT WITH 2.2 GPM  
AERATOR 55/64-27

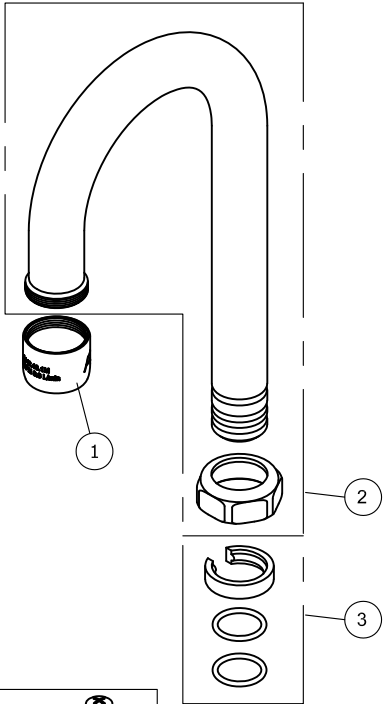
QUARTER TURN CERAMIC  
DISC CARTRIDGES WITH  
CHECK STEMS AND COLOR  
CODED INDEXES



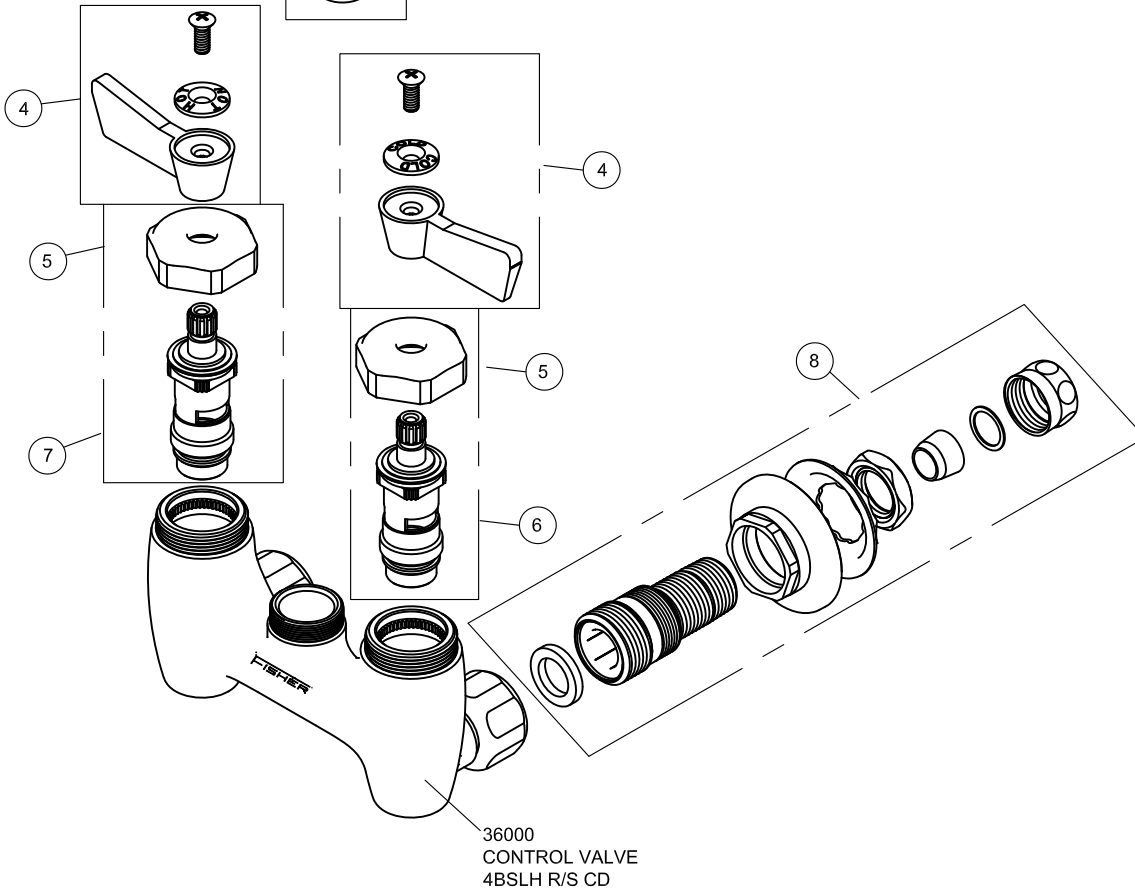
PRODUCT SPECIFICATIONS:  
4" BACKSPASH MOUNT MIXING FAUCET, QUARTER TURN CERAMIC DISC CARTRIDGES WITH  
LEVER HANDLES, GOOSENECK SPOUT WITH 2.2 GPM AERATOR 55/64-27, 1/2" NPT  
CONCENTRICS INLET

PRODUCT COMPLIANCE:  
ASME A112.18.1 / CSA B125.1  
NSF 61 - Section 9  
NSF 372 (Low Lead Content)

Customer/Wholesaler:	Date:	Job Name:	Model Specified:	Quantity:
Contractor:		Architect/Engineer:		



NO.	QTY.	ITEM	NAME
1	1	12564	AERATOR 55/64-27F PER 2.20 GPM
2	1	75356	NUT SPOUT 1/2 CD BRS POL CR
3	1	19119	O-RING 1/2 SPOUT KIT
4	2	2000-0002	HANDLE KIT LEVER
5	2	75957	BIBB CAP FAUCET CD NL BRS CR
6	1	75958	STEM 1/2 CERAMIC DISK LH
7	1	75959	STEM 1/2 CERAMIC DISK RH
8	2	22594	CONCENTRIC KIT BRS1/2M



36000  
CONTROL VALVE  
4BSLH R/S CD

**PRODUCT SPECIFICATIONS:**  
 4" BACKSPASH MOUNT MIXING FAUCET, QUARTER TURN CERAMIC DISK CARTRIDGES WITH LEVER HANDLES, GOOSENECK SPOUT WITH 2.2 GPM AERATOR 55/64-27, 1/2" NPT CONCENTRICS INLET

**PRODUCT COMPLIANCE:**  
 ASME A112.18.1 / CSA B125.1  
 NSF 61 - Section 9  
 NSF 372 (Low Lead Content)