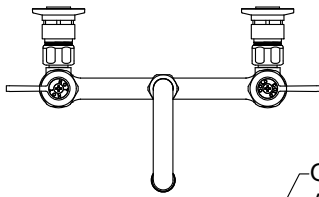
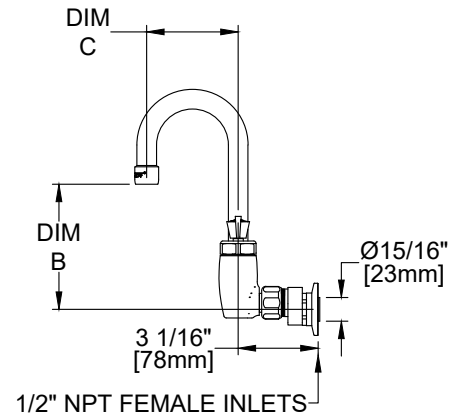
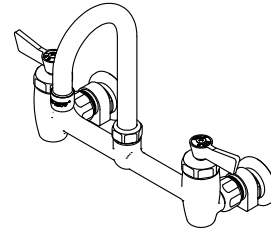
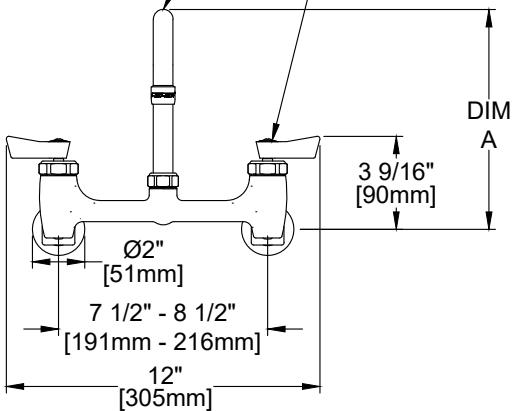


Customer/Wholesaler:	Date:	Job Name:	Model Specified:	Quantity:
Contractor:		Architect/Engineer:		



GOOSENECK SPOUT W/ 2.2 GPM AERATOR 55/64-27F, CONVERTS TO RIGID W/ SERRATED LOCK WASHER, INCLUDED

QUARTER TURN CERAMIC DISK CARTRIDGES W/ CHECK STEMS & COLOR CODED INDEXES



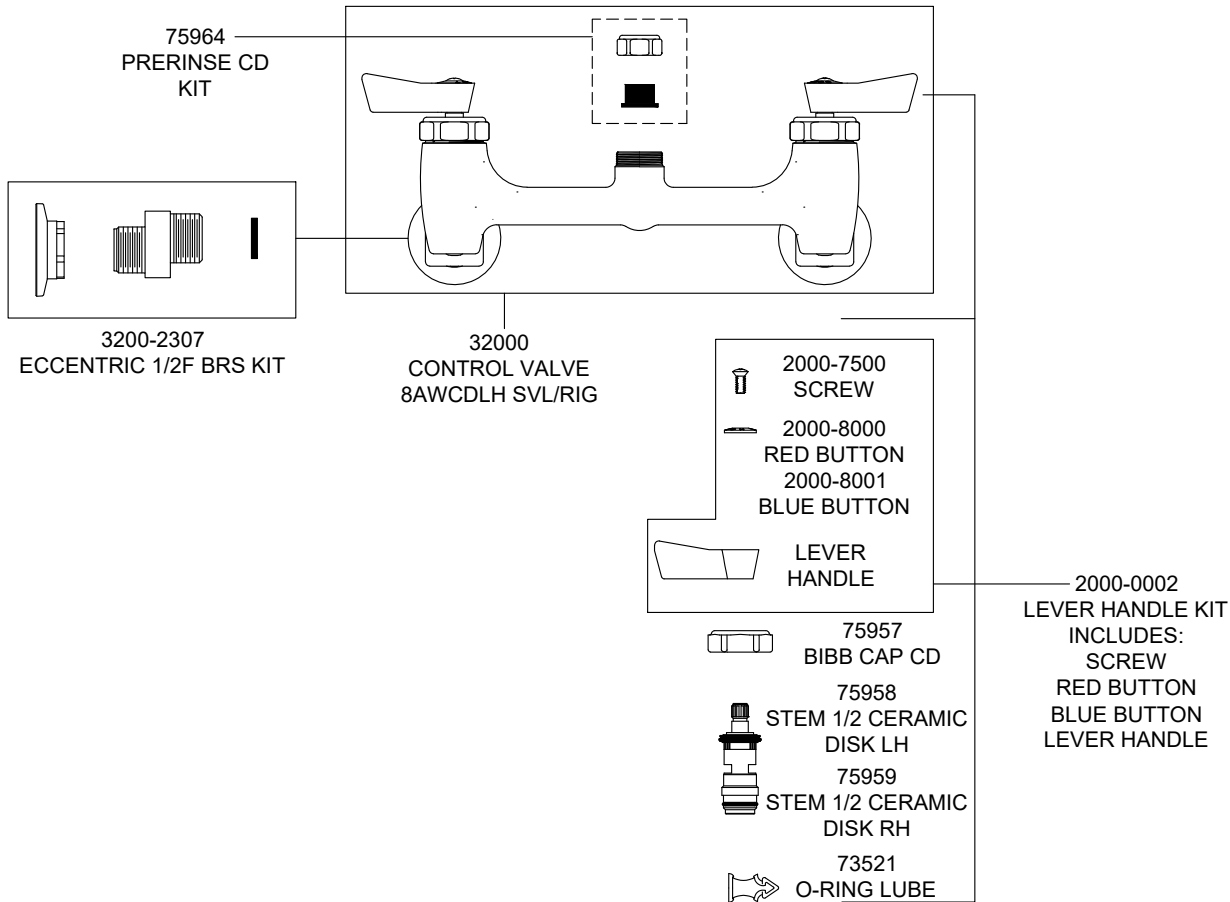
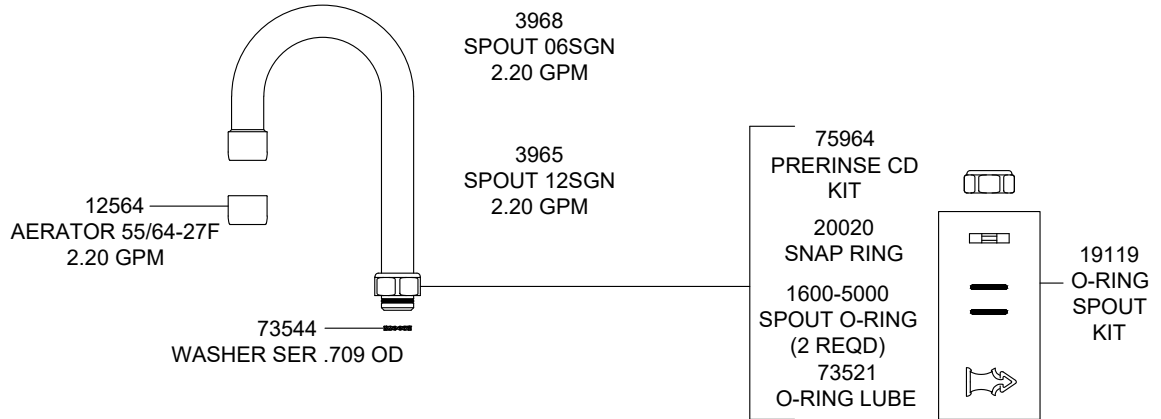
MODEL	DESCRIPTION	DIM A	DIM B	DIM C
19450	FAUCET 8AWCDLH 06SGN 2.20 GPM	8 7/16" [214mm]	4 13/16" [122mm]	3 1/2" [89mm]
32550	FAUCET 8AWCDLH 12SGN 2.20 GPM	13 3/16" [334mm]	8 13/16" [223mm]	5" [127mm]

PRODUCT SPECIFICATIONS: 8" ADJUSTABLE WALL FAUCET, QUARTER TURN CERAMIC DISK CARTRIDGES W/ CHECK STEMS, LEVER HANDLES, 6" OR 12" SWIVEL OR RIGID GOOSENECK SPOUT W/ 2.2 GPM @ 60 PSI AERATOR, 1/2" NPT FEMALE INLETS

PRODUCT COMPLIANCE:
ASME A112.18.1 / CSA B125.1
NSF 61 - Section 9
NSF 372 (Low Lead Content)

Customer/Wholesaler:	Date:	Job Name:	Model Specified:	Quantity:
Contractor:		Architect/Engineer:		

REPLACEMENT PARTS



PRODUCT SPECIFICATIONS: 8" ADJUSTABLE WALL FAUCET, QUARTER TURN CERAMIC DISK CARTRIDGES W/ CHECK STEMS, LEVER HANDLES, 6" OR 12" SWIVEL OR RIGID GOOSENECK SPOUT W/ 2.2 GPM @ 60 PSI AERATOR, 1/2" NPT FEMALE INLETS

PRODUCT COMPLIANCE:
ASME A112.18.1 / CSA B125.1
NSF 61 - Section 9
NSF 372 (Low Lead Content)