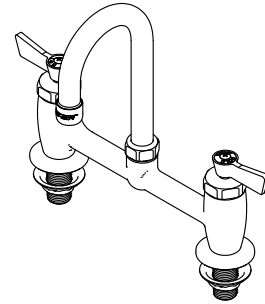
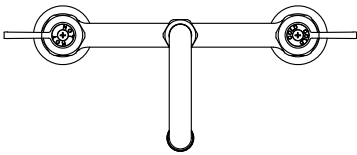
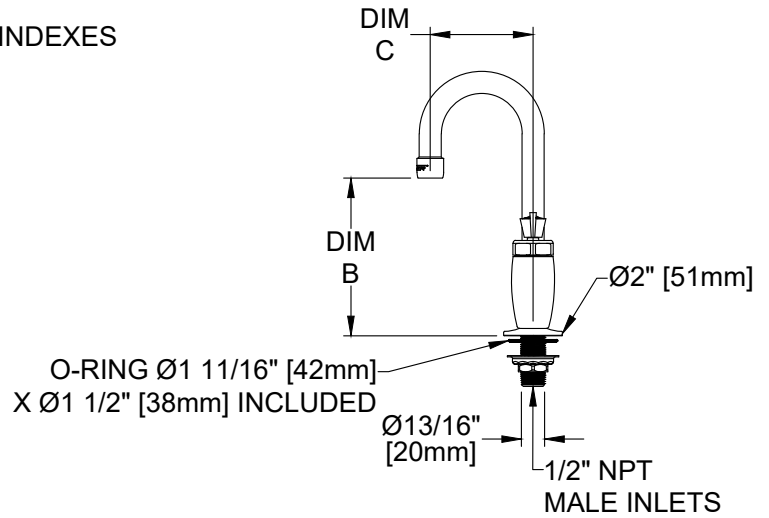
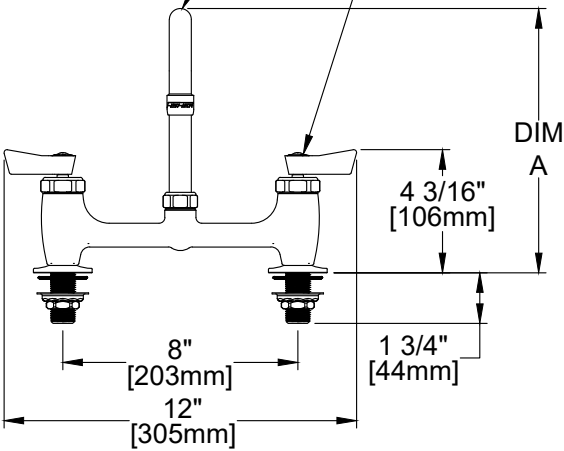


Customer/Wholesaler:	Date:	Job Name:	Model Specified:	Quantity:
Contractor:		Architect/Engineer:		



GOOSENECK SPOUT W/ 2.2 GPM AERATOR 55/64-27F, CONVERTS TO RIGID W/ SERRATED LOCK WASHER, INCLUDED

QUARTER TURN CERAMIC DISK CARTRIDGES W/ CHECK STEMS & COLOR CODED INDEXES



MODEL	DESCRIPTION	DIM A	DIM B	DIM C
18210	FAUCET 8DCDLH 06SGN 2.20 GPM	9" [228mm]	5 3/8" [136mm]	3 1/2" [89mm]
33150	FAUCET 8DCDLH 12SGN 2.20 GPM	13 3/4" [349mm]	9 3/8" [238mm]	5" [127mm]

PRODUCT SPECIFICATIONS: 8" DECK FAUCET, QUARTER TURN CERAMIC DISK CARTRIDGES W/ CHECK STEMS, LEVER HANDLES, 6" OR 12" SWIVEL OR RIGID GOOSENECK SPOUT W/ 2.2 GPM @ 60 PSI AERATOR, 1/2" NPT MALE INLETS

PRODUCT COMPLIANCE:  
ASME A112.18.1 / CSA B125.1  
NSF 61 - Section 9  
NSF 372 (Low Lead Content)



FISHER MANUFACTURING COMPANY TOLL FREE: 800-421-6162 - FAX: 800-832-8238  
customer@fisherfaucets.com - www.fisherfaucets.com

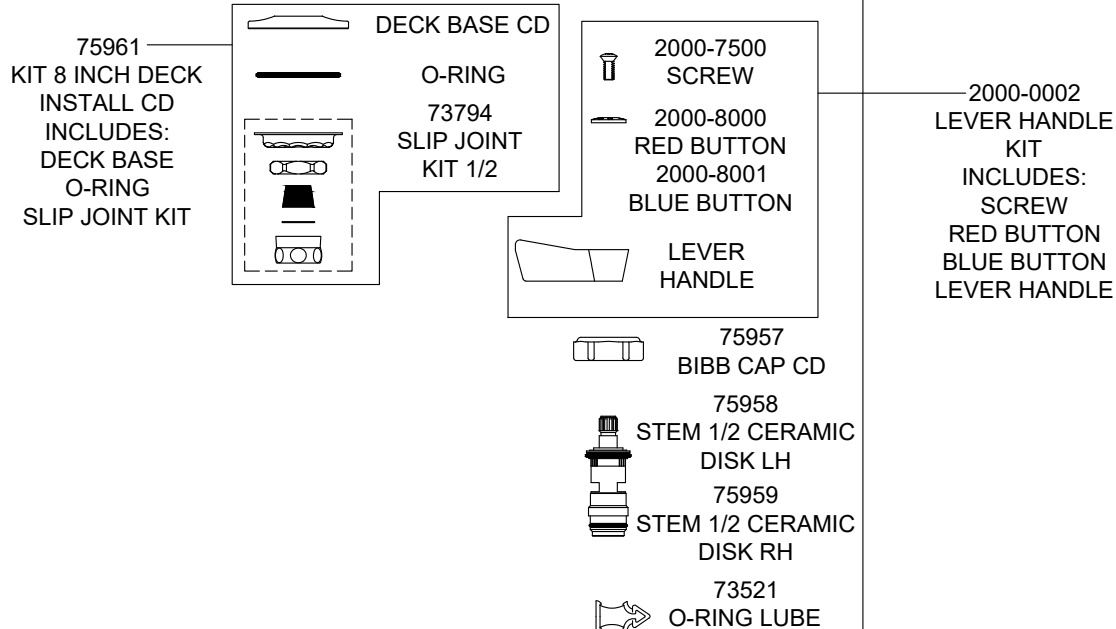
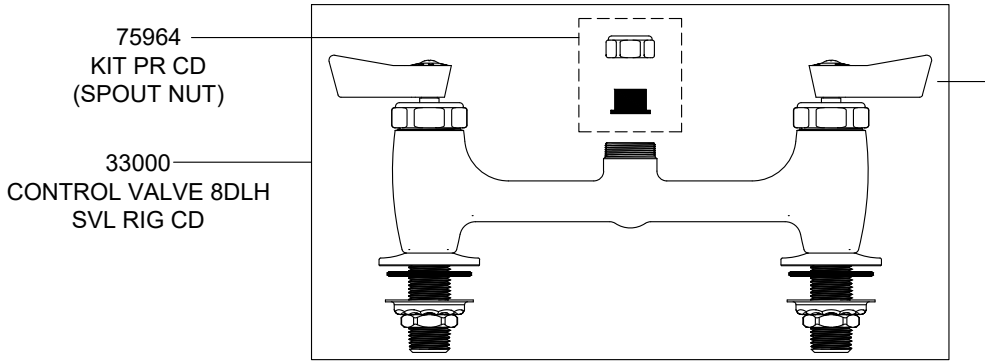
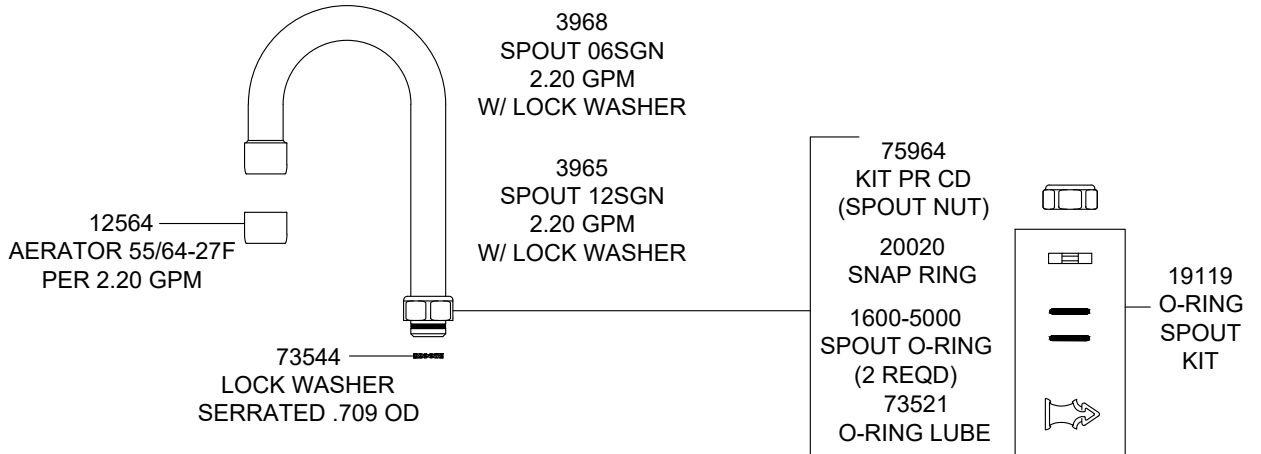
PRODUCT NAME:

FAUCET 8DCDLH SGN 2.20 GPM

SPEC. FACB-BR-8DLL

Customer/Wholesaler:	Date:	Job Name:	Model Specified:	Quantity:
Contractor:		Architect/Engineer:		

## REPLACEMENT PARTS



PRODUCT SPECIFICATIONS: 8" DECK FAUCET, QUARTER TURN CERAMIC DISK CARTRIDGES W/ CHECK STEMS, LEVER HANDLES, 6" OR 12" SWIVEL OR RIGID GOOSENECK SPOUT W/ 2.2 GPM @ 60 PSI AERATOR, 1/2" NPT MALE INLETS

PRODUCT COMPLIANCE:  
ASME A112.18.1 / CSA B125.1  
NSF 61 - Section 9  
NSF 372 (Low Lead Content)