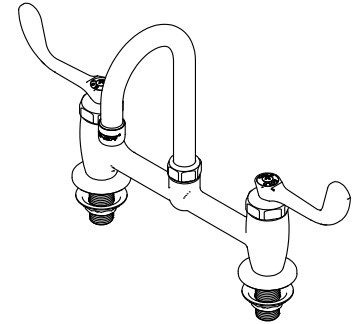
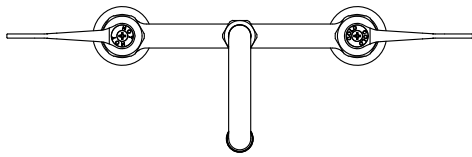
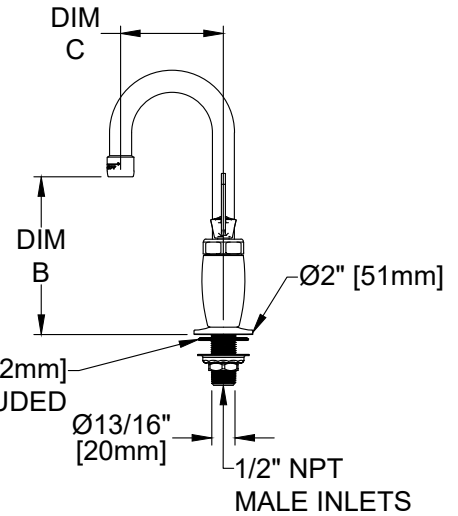
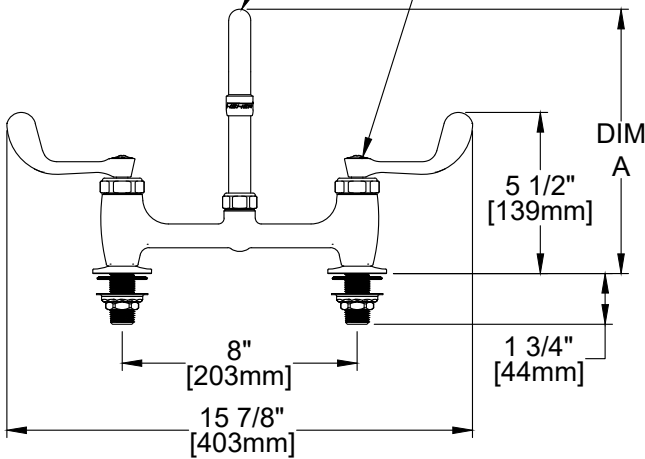


|                      |       |                     |                  |           |
|----------------------|-------|---------------------|------------------|-----------|
| Customer/Wholesaler: | Date: | Job Name:           | Model Specified: | Quantity: |
| Contractor:          |       | Architect/Engineer: |                  |           |



GOOSENECK SPOUT W/ 2.2 GPM AERATOR 55/64-27F, CONVERTS TO RIGID W/ SERRATED LOCK WASHER, INCLUDED

QUARTER TURN CERAMIC DISK CARTRIDGES W/ CHECK STEMS & COLOR CODED INDEXES



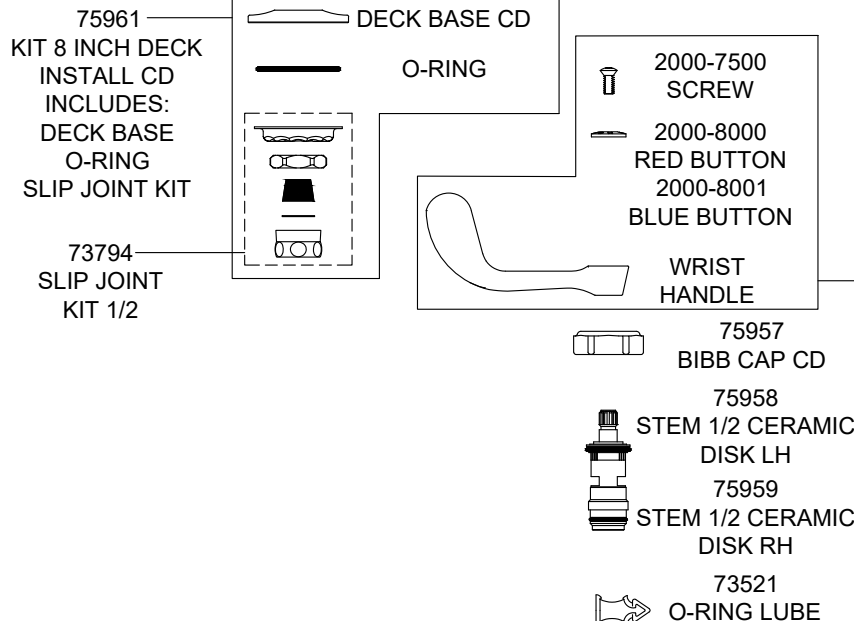
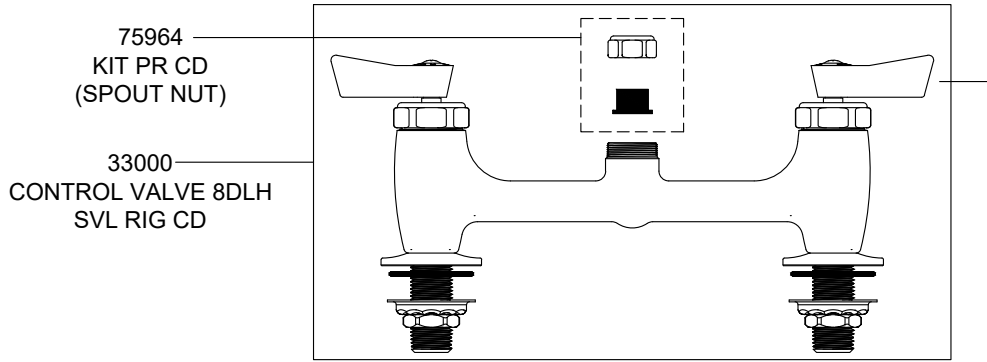
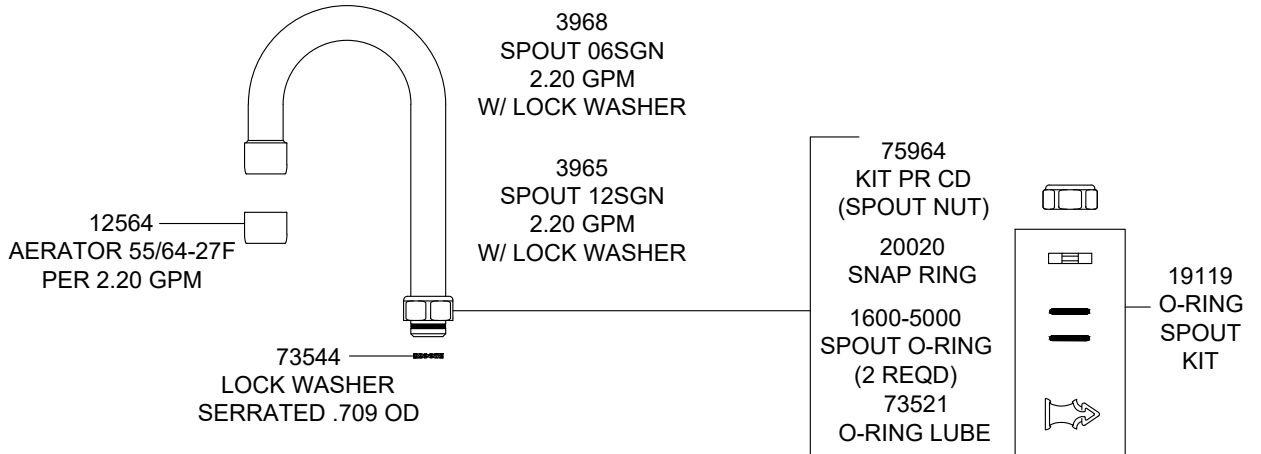
| MODEL | DESCRIPTION                  | DIM A              | DIM B             | DIM C            |
|-------|------------------------------|--------------------|-------------------|------------------|
| 96030 | FAUCET 8DCDWH 06SGN 2.20 GPM | 9"<br>[228mm]      | 5 3/8"<br>[136mm] | 3 1/2"<br>[89mm] |
| 90750 | FAUCET 8DCDWH 12SGN 2.20 GPM | 13 3/4"<br>[349mm] | 9 3/8"<br>[238mm] | 5"<br>[127mm]    |

PRODUCT SPECIFICATIONS: 8" DECK FAUCET, QUARTER TURN CERAMIC DISK CARTRIDGES W/ CHECK STEMS, WRIST HANDLES, 6" OR 12" SWIVEL OR RIGID GOOSENECK SPOUT W/ 2.2 GPM @ 60 PSI AERATOR, 1/2" NPT MALE INLETS

PRODUCT COMPLIANCE:  
ASME A112.18.1 / CSA B125.1  
NSF 61 - Section 9  
NSF 372 (Low Lead Content)

|                      |       |                     |                  |           |
|----------------------|-------|---------------------|------------------|-----------|
| Customer/Wholesaler: | Date: | Job Name:           | Model Specified: | Quantity: |
| Contractor:          |       | Architect/Engineer: |                  |           |

## REPLACEMENT PARTS



PRODUCT SPECIFICATIONS: 8" DECK FAUCET, QUARTER TURN CERAMIC DISK CARTRIDGES W/ CHECK STEMS, WRIST HANDLES, 6" OR 12" SWIVEL OR RIGID GOOSENECK SPOUT W/ 2.2 GPM @ 60 PSI AERATOR, 1/2" NPT MALE INLETS

PRODUCT COMPLIANCE:  
ASME A112.18.1 / CSA B125.1  
NSF 61 - Section 9  
NSF 372 (Low Lead Content)