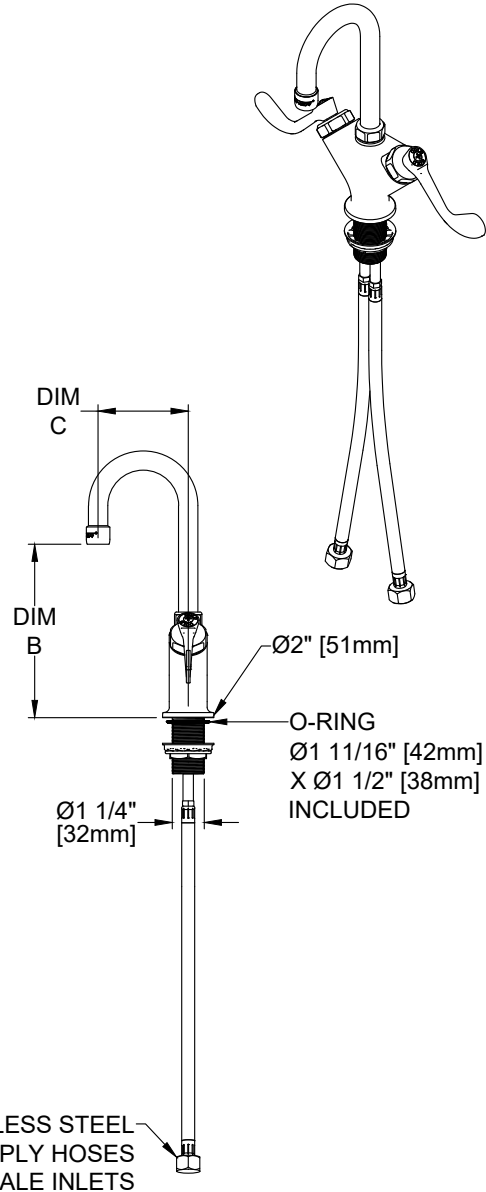
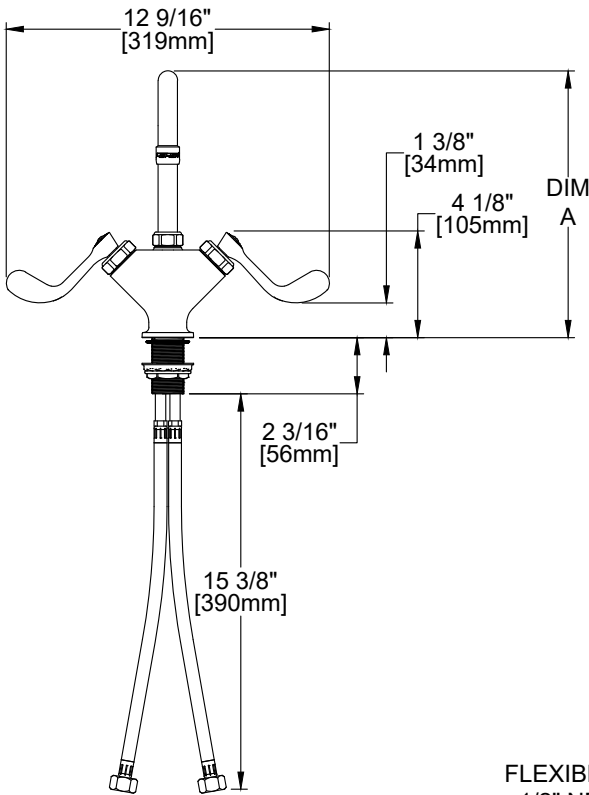
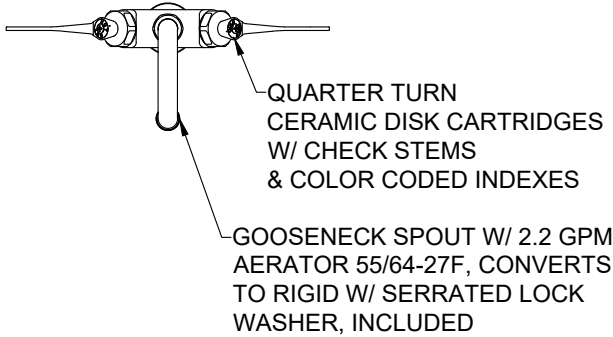


Customer/Wholesaler:	Date:	Job Name:	Model Specified:	Quantity:
Contractor:		Architect/Engineer:		



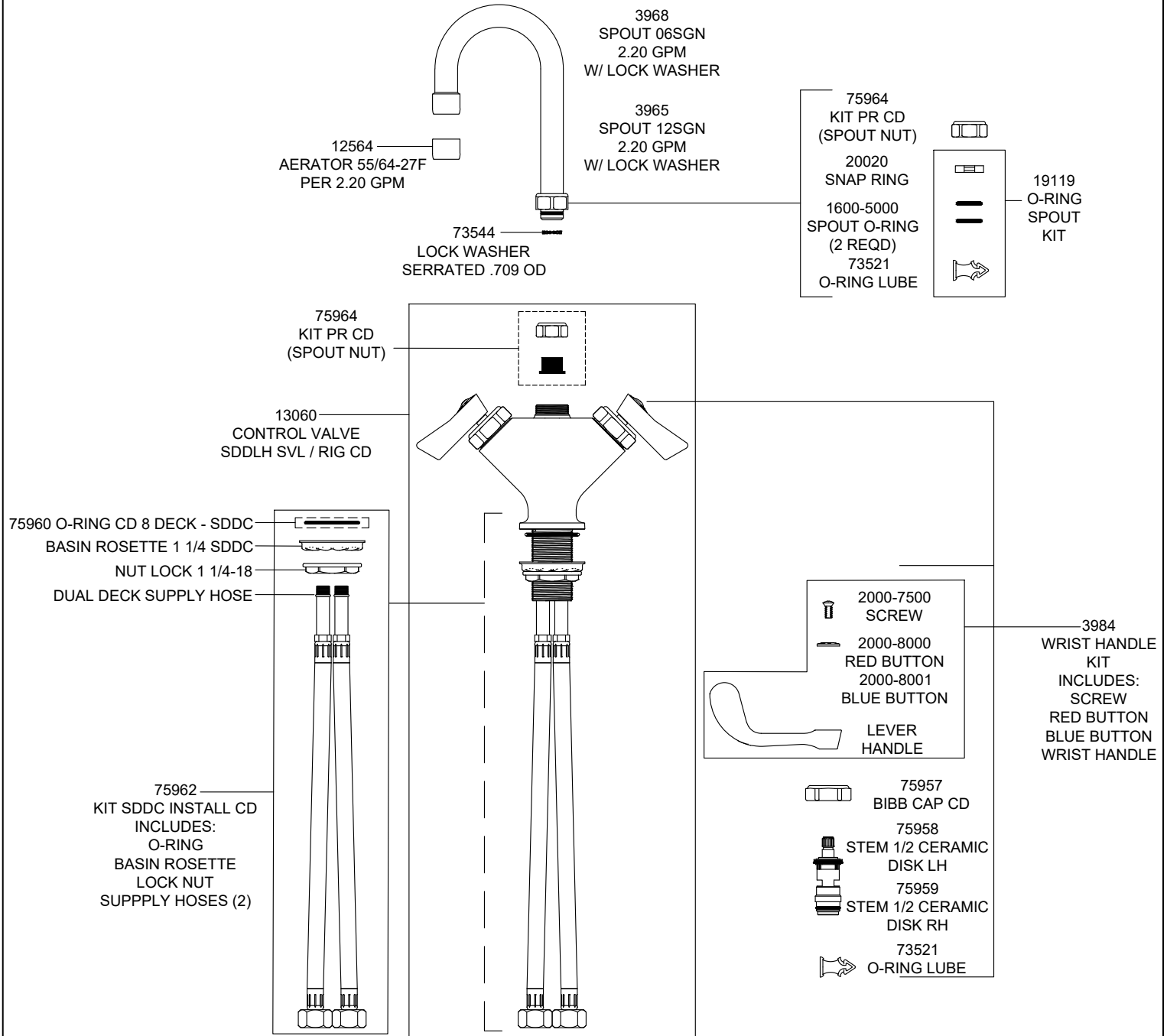
MODEL	DESCRIPTION	DIM A	DIM B	DIM C
92510	FAUCET SDDCDWH 06SGN 2.20 GPM	10 3/8" [263mm]	6 3/4" [171mm]	3 1/2" [89mm]
92230	FAUCET SDDCDWH 12SGN 2.20 GPM	15 1/8" [384mm]	10 3/4" [273mm]	5" [127mm]

PRODUCT SPECIFICATIONS: DUAL DECK FAUCET, QUARTER TURN CERAMIC DISK CARTRIDGES W/ CHECK STEMS, WRIST HANDLES, 6" OR 12" SWIVEL OR RIGID GOOSENECK SPOUT W/ 2.2 GPM @ 60 PSI AERATOR, 1/2" NPT FEMALE INLETS

PRODUCT COMPLIANCE: ASME A112.18.1 / CSA B125.1 NSF 61 - Section 9 NSF 372 (Low Lead Content)

Customer/Wholesaler:	Date:	Job Name:	Model Specified:	Quantity:
Contractor:		Architect/Engineer:		

REPLACEMENT PARTS



PRODUCT SPECIFICATIONS: DUAL DECK FAUCET, QUARTER TURN CERAMIC DISK CARTRIDGES W/ CHECK STEMS, WRIST HANDLES, 6" OR 12" SWIVEL OR RIGID GOOSENECK SPOUT W/ 2.2 GPM @ 60 PSI AERATOR, 1/2" NPT FEMALE INLETS

PRODUCT COMPLIANCE:
ASME A112.18.1 / CSA B125.1
NSF 61 - Section 9
NSF 372 (Low Lead Content)