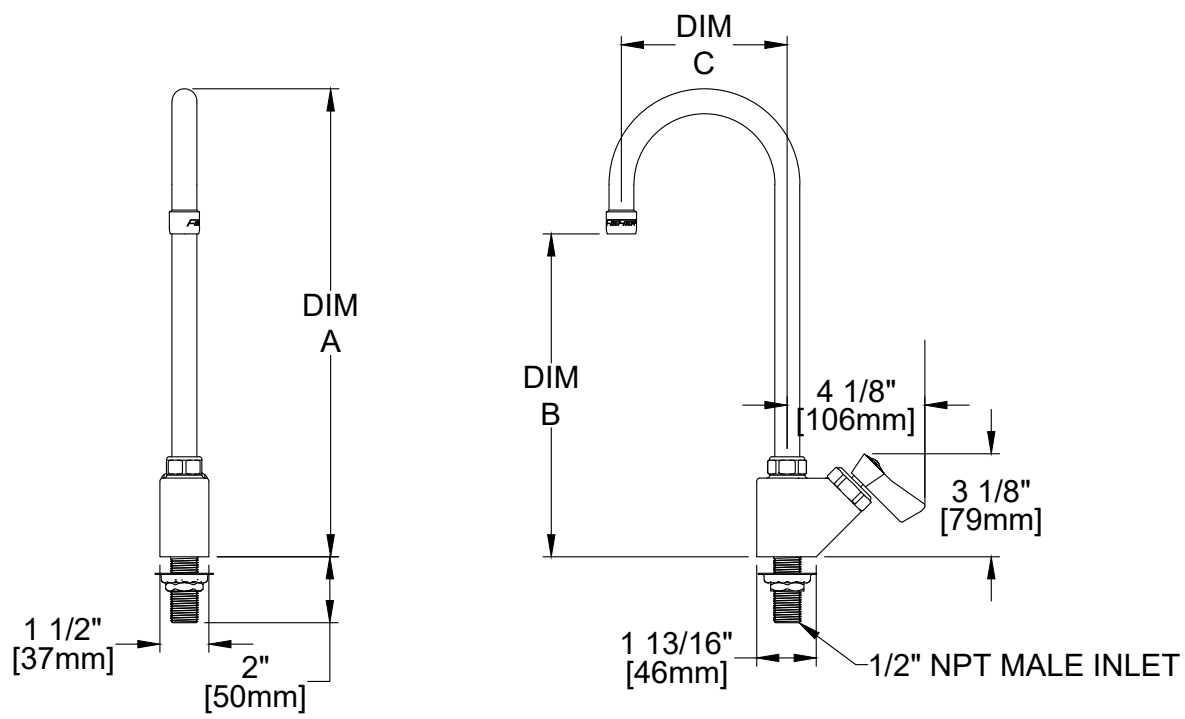
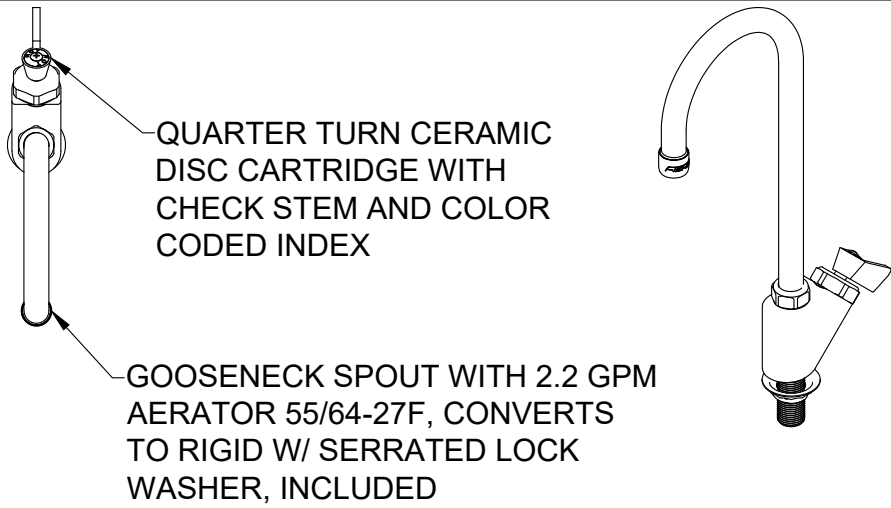


Customer/Wholesaler:	Date:	Job Name:	Model Specified:	Quantity:
Contractor:		Architect/Engineer:		



	MODEL	DESCRIPTION	DIM A	DIM B	DIM C
<input type="checkbox"/>	18560	FAUCET SDCDLH 06SGN 2.20 GPM	9 3/8" [238mm]	5 3/4" [146mm]	3 1/2" [89mm]
<input type="checkbox"/>	30150	FAUCET SDCDLH 12SGN 2.20 GPM	14 1/8" [358mm]	9 3/4" [247mm]	5" [127mm]

PRODUCT SPECIFICATIONS:
SINGLE DECK MOUNT FAUCET, QUARTER TURN CERAMIC DISC CARTRIDGE W/CHECK STEM, LEVER HANDLE, 6" OR 12" SWIVEL OR RIGID GOOSENECK SPOUT WITH 2.2 GPM AERATOR, 1/2" NPT MALE INLET

PRODUCT COMPLIANCE:
ASME A112.18.1 / CSA B125.1
NSF 61 - Section 9
NSF 372 (Low Lead Content)



FISHER MANUFACTURING COMPANY TOLL FREE: 800-421-6162 - FAX: 800-832-8238
customer@fisherfaucets.com - www.fisherfaucets.com

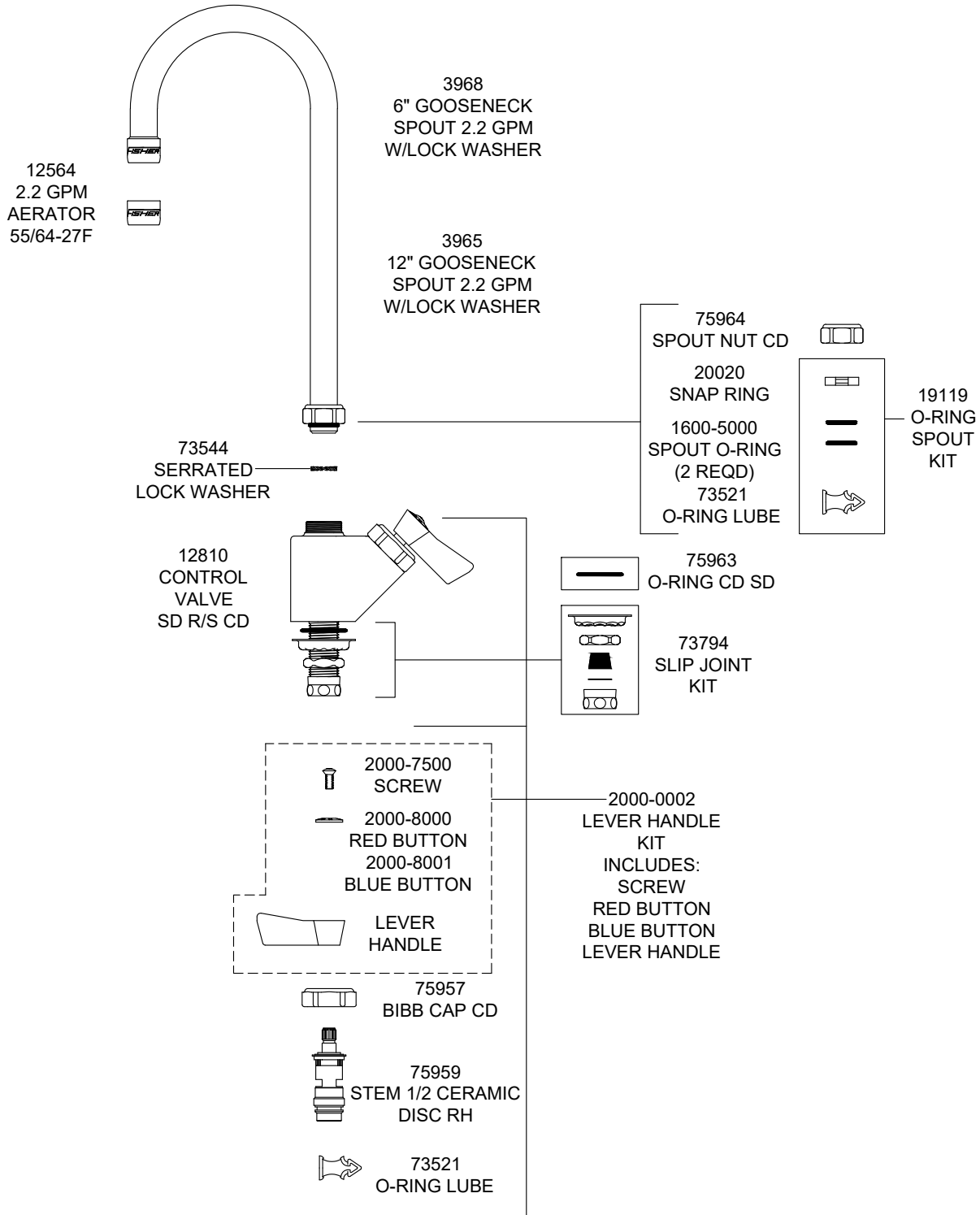
PRODUCT NAME:

FAUCET SDCDLH SGN 2.20 GPM

SPEC. FACB-BR-SDL

Customer/Wholesaler:	Date:	Job Name:	Model Specified:	Quantity:
Contractor:		Architect/Engineer:		

REPLACEMENT PARTS



PRODUCT SPECIFICATIONS:
SINGLE DECK MOUNT FAUCET, QUARTER TURN CERAMIC DISC CARTRIDGE W/CHECK STEM,
LEVER HANDLE, 6" OR 12" SWIVEL OR RIGID GOOSENECK SPOUT WITH 2.2 GPM AERATOR, 1/2"
NPT MALE INLET

PRODUCT COMPLIANCE:
ASME A112.18.1 / CSA B125.1
NSF 61 - Section 9
NSF 372 (Low Lead Content)