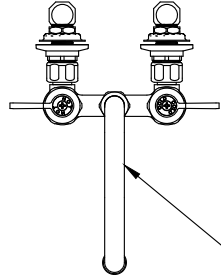
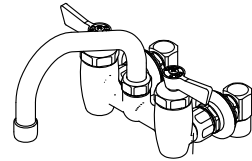


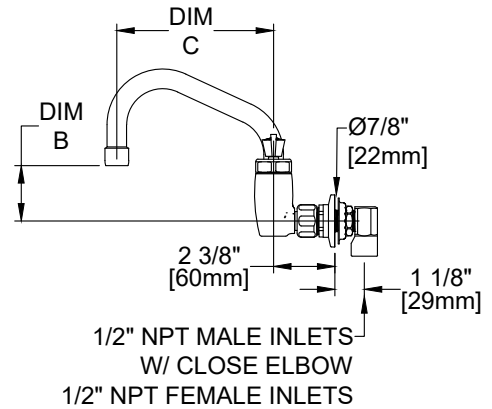
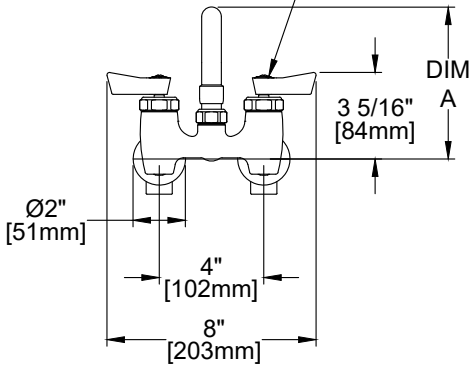
Customer/Wholesaler:	Date:	Job Name:	Model Specified:	Quantity:
Contractor:		Architect/Engineer:		



SWING SPOUT
W/ FULL FLOW STREAM
STRAIGHTENER
55/64-27F



QUARTER TURN
CERAMIC DISK CARTRIDGES
W/ CHECK STEMS
& COLOR CODED INDEXES



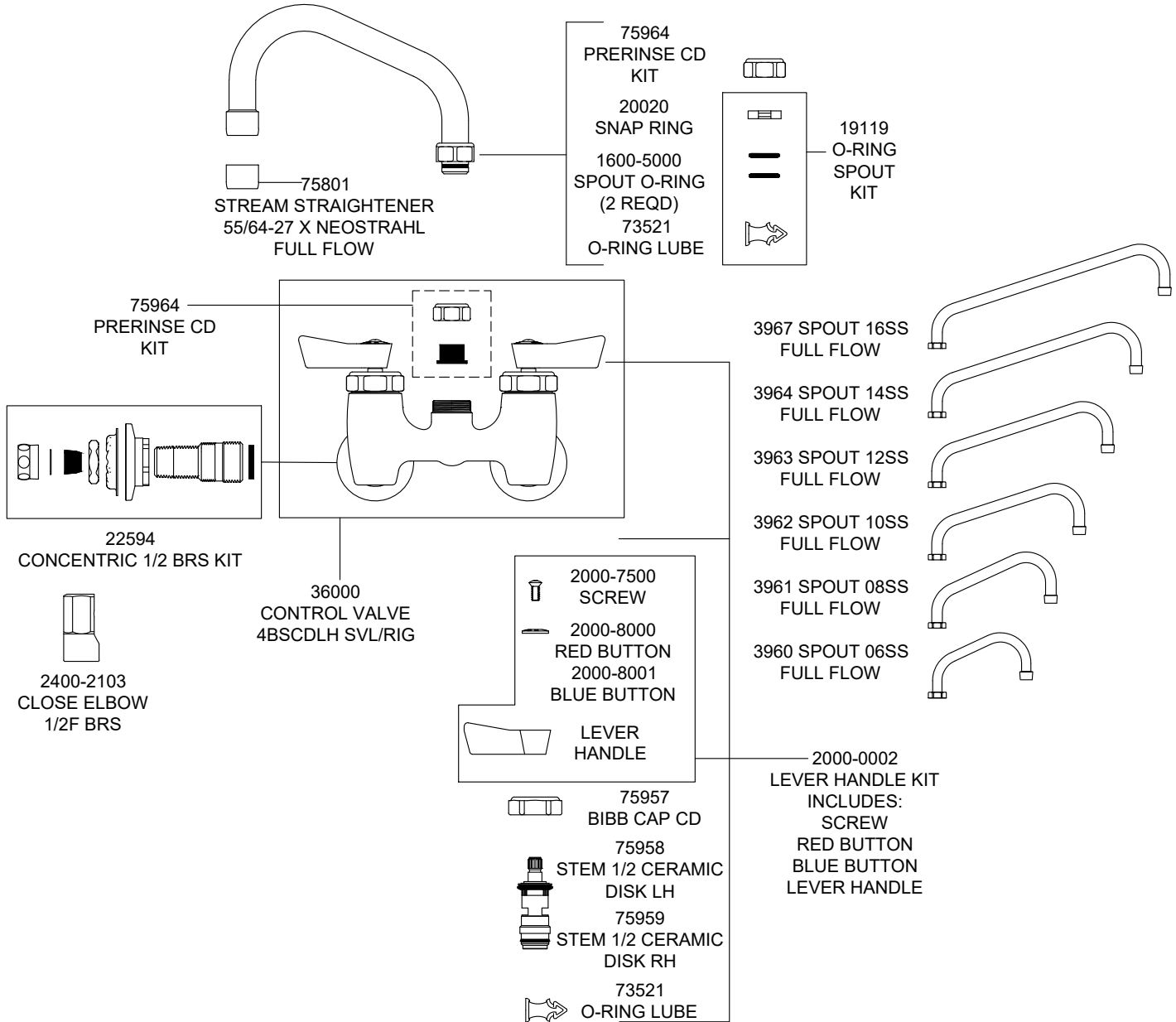
MODEL	DESCRIPTION	DIM A	DIM B	DIM C
19460	FAUCET 4BSCDLH 06SS EL	5 13/16" [148mm]	2 1/8" [54mm]	6" [152mm]
19480	FAUCET 4BSCDLH 08SS EL	6 3/4" [171mm]	3 1/16" [77mm]	8" [203mm]
19490	FAUCET 4BSCDLH 10SS EL	6 3/4" [172mm]	3 1/16" [78mm]	10" [254mm]
19510	FAUCET 4BSCDLH 12SS EL	7 7/16" [188mm]	3 11/16" [94mm]	12" [305mm]
19520	FAUCET 4BSCDLH 14SS EL	8 1/16" [205mm]	4 3/8" [111mm]	14" [356mm]
19530	FAUCET 4BSCDLH 16SS EL	8 3/4" [222mm]	5 1/16" [128mm]	16" [406mm]

PRODUCT SPECIFICATIONS: 4" BACKSPASH FAUCET, QUARTER TURN CERAMIC DISK CARTRIDGES W/ CHECK STEMS, LEVER HANDLES, SWING SPOUT W/ FULL FLOW STREAM STRAIGHTENER 12.5 GPM @ 60 PSI, 1/2" NPT MALE INLETS W/ CLOSE ELBOW 1/2" NPT FEMALE INLETS

PRODUCT COMPLIANCE:
ASME A112.18.1 / CSA B125.1
NSF 61 - Section 9
NSF 372 (Low Lead Content)

Customer/Wholesaler:	Date:	Job Name:	Model Specified:	Quantity:
Contractor:		Architect/Engineer:		

REPLACEMENT PARTS



PRODUCT SPECIFICATIONS: 4" BACKSPASH FAUCET, QUARTER TURN CERAMIC DISK CARTRIDGES W/ CHECK STEMS, LEVER HANDLES, SWING SPOUT W/ FULL FLOW STREAM STRAIGHTENER 12.5 GPM @ 60 PSI, 1/2" NPT MALE INLETS W/ CLOSE ELBOW 1/2" NPT FEMALE INLETS

PRODUCT COMPLIANCE: ASME A112.18.1 / CSA B125.1 NSF 61 - Section 9 NSF 372 (Low Lead Content)