



FISHER MANUFACTURING COMPANY TOLL FREE: 800-421-6162 - FAX: 800-832-8238
customer@fisherfaucets.com - www.fisherfaucets.com

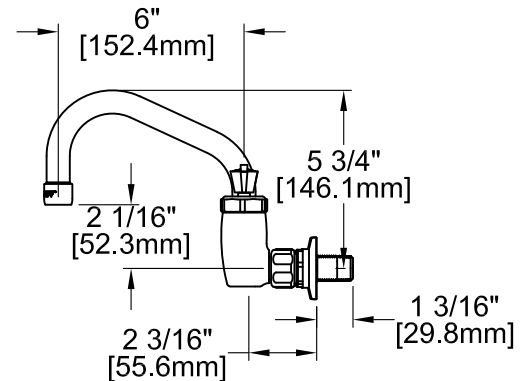
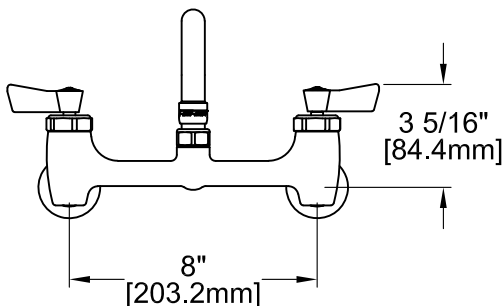
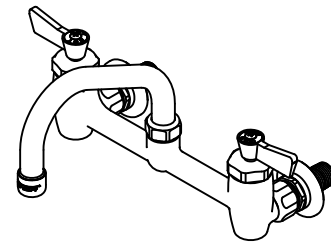
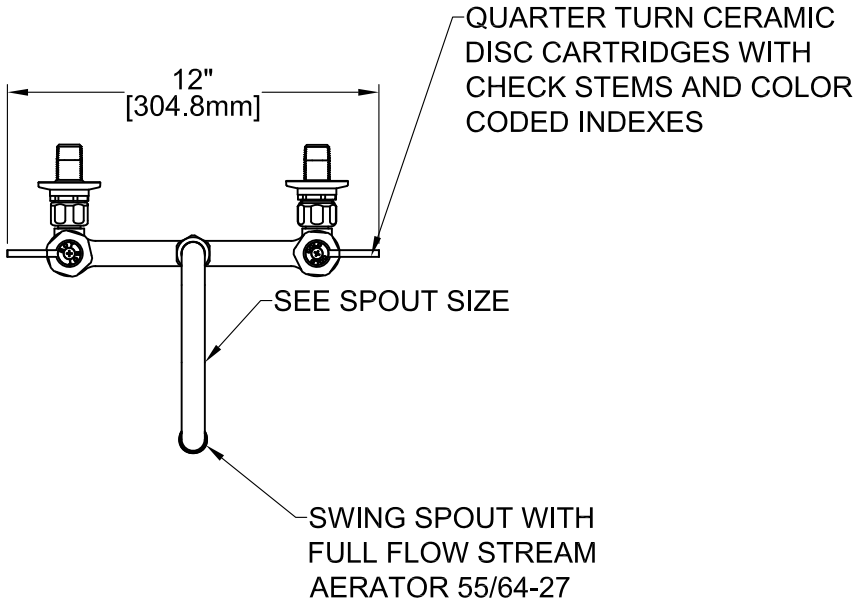
PRODUCT NAME:

FAUCET 8BSCDLH

SPEC. FACB-KF-8BSLL

Customer/Wholesaler:	Date:	Job Name:	Model Specified:	Quantity:
Contracter:		Architect/Engineer:		

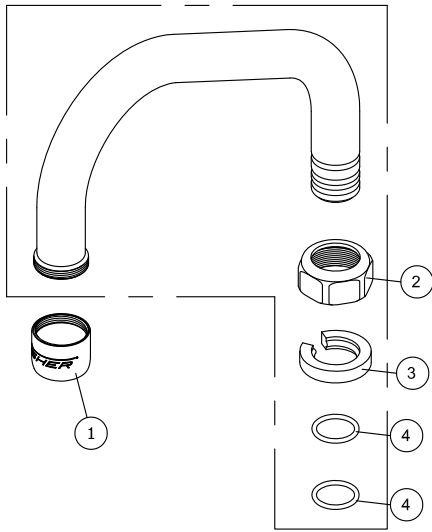
	MODEL	DESCRIPTION	SPOUT SIZE
<input type="checkbox"/>	13230	FAUCET 8BSCDLH	06SS
<input type="checkbox"/>	13240	FAUCET 8BSCDLH	08SS
<input type="checkbox"/>	13290	FAUCET 8BSCDLH	10SS
<input type="checkbox"/>	13260	FAUCET 8BSCDLH	12SS
<input type="checkbox"/>	13270	FAUCET 8BSCDLH	14SS
<input type="checkbox"/>	13210	FAUCET 8BSCDLH	16SS



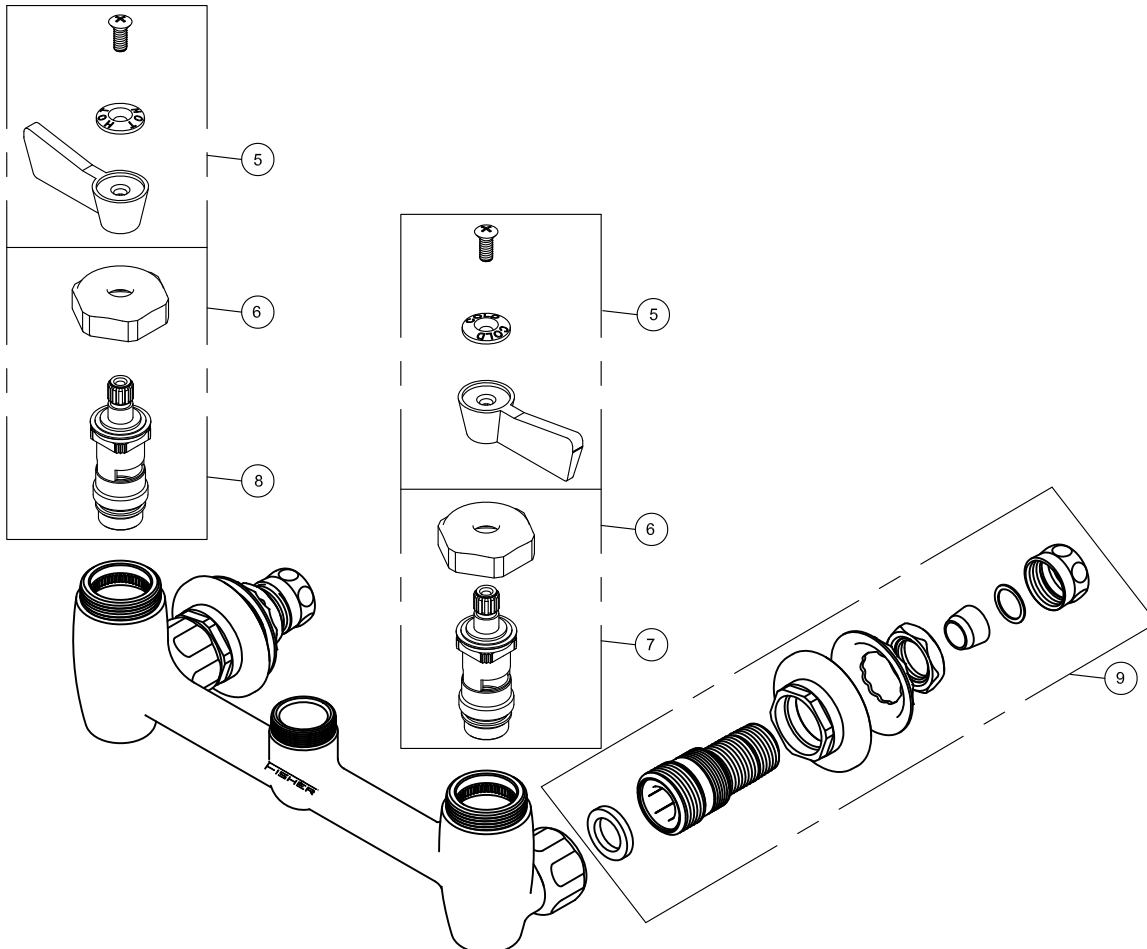
PRODUCT SPECIFICATIONS:
8" BACKSPASH MOUNT MIXING FAUCET, QUARTER TURN CERAMIC DISC CARTRIDGES WITH LEVER HANDLES, SWING SPOUT WITH FULL FLOW STREAM AERATOR 55/64-27, 1/2" NPT CONCENTRICS INLET

PRODUCT COMPLIANCE:
ASME A112.18.1 / CSA B125.1
NSF 61 - Section 9
NSF 372 (Low Lead Content)

Customer/Wholesaler:	Date:	Job Name:	Model Specified:	Quantity:
Contractor:		Architect/Engineer:		



NO.	QTY.	ITEM	NAME
1	1	75801	NEOSTRAHL FULL FLOW STREAM STRAIGHTENER 55/64-27
2	1	75237	NUT SPOUT 1/2 CD BRS POL CR
3	1	20020	SNAP RING FERRULE 1/2
4	2	1600-5000	O-RING SPOUT 1/2
5	2	2000-0002	HANDLE KIT LEVER
6	2	75957	BIBB CAP FAUCET CD NL BRS CR
7	1	75958	STEM 1/2 CERAMIC DISK LH
8	1	75959	STEM 1/2 CERAMIC DISK RH
9	2	22594	CONCENTRIC KIT BRS 1/2M



PRODUCT SPECIFICATIONS:
8" BACKSPASH MOUNT MIXING FAUCET, QUARTER TURN CERAMIC DISK CARTRIDGES WITH LEVER HANDLES, SWING SPOUT WITH FULL FLOW STREAM AERATOR 55/64-27, 1/2" NPT CONCENTRICS INLET

PRODUCT COMPLIANCE:
ASME A112.18.1 / CSA B125.1
NSF 61 - Section 9
NSF 372 (Low Lead Content)