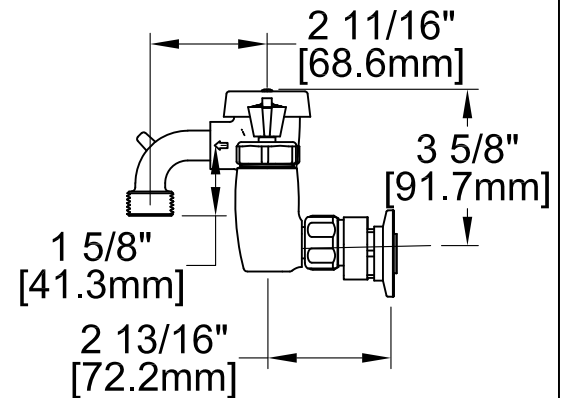
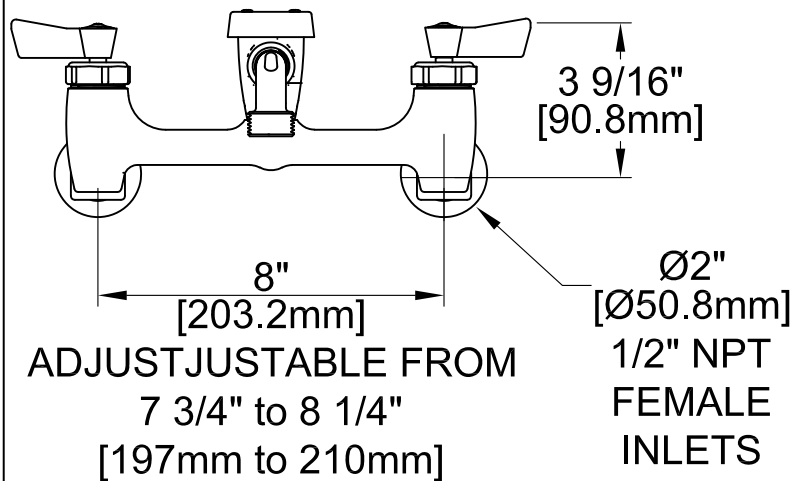
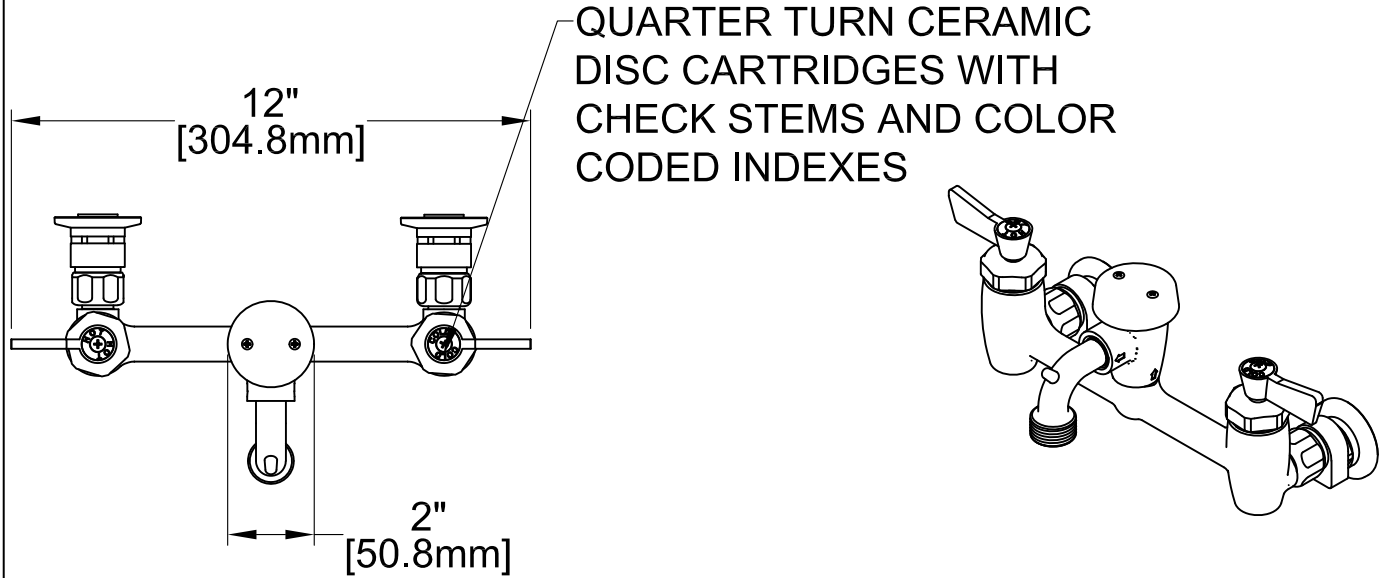


Customer/Wholesaler:	Date:	Job Name:	Model Specified: 19820	Quantity:
Contractor:		Architect/Engineer:		



RODUCT SPECIFICATIONS:
8" ADJUSTABLE WALL MIXING FAUCET, QUARTER TURN
CERAMIC DISC CARTRIDGES WITH LEVER HANDLES, 6" SERVICE
SPOUT AND VACUUM BREAKER, 1/2" NPT INLETS, EZ INSTALL KIT

PRODUCT COMPLIANCE:
ASME A112.18.1 / CSA B125.1
NSF 61 - Section 9
NSF 372 (Low Lead Content)



FISHER MANUFACTURING COMPANY TOLL FREE: 800-421-6162 - FAX: 800-832-8238
customer@fisherfaucets.com - www.fisherfaucets.com

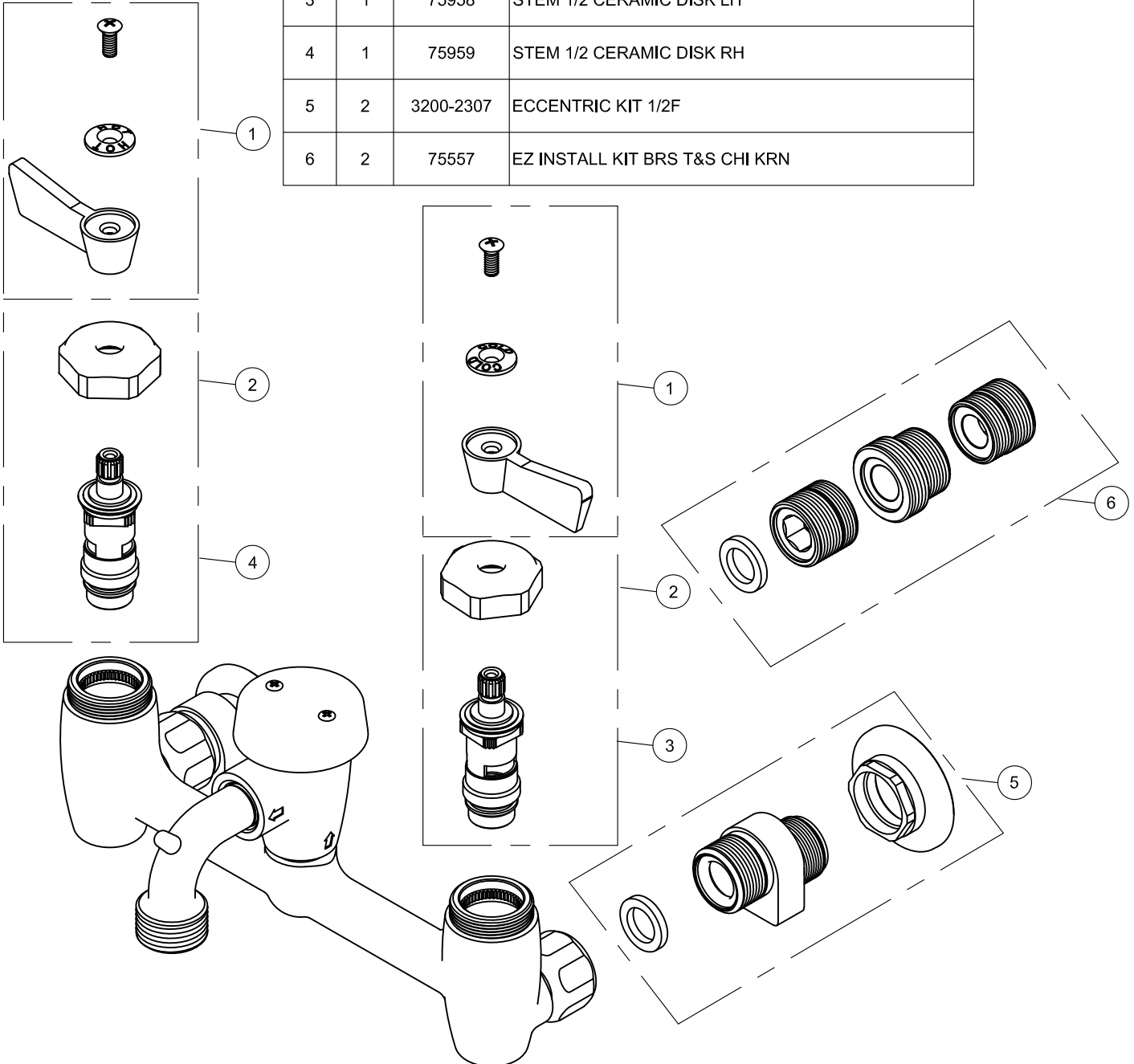
PRODUCT NAME:

FAUCET 8AWCDZLH 03SRV

SPEC. FACB-SSS-8AWZZLL

Customer/Wholesaler:	Date:	Job Name:	Model Specified: 19820	Quantity:
Contractor:	Architect/Engineer:			

NO.	QTY.	ITEM	NAME
1	2	2000-0002	HANDLE KIT LEVER
2	2	75957	BIBB CAP FAUCET CD NL BRS CR
3	1	75958	STEM 1/2 CERAMIC DISK LH
4	1	75959	STEM 1/2 CERAMIC DISK RH
5	2	3200-2307	ECCENTRIC KIT 1/2F
6	2	75557	EZ INSTALL KIT BRS T&S CHI KRN



RODUCT SPECIFICATIONS:
8" ADJUSTABLE WALL MIXING FAUCET, QUARTER TURN
CERAMIC DISK CARTRIDGES WITH LEVER HANDLES, 6" SERVICE
SPOUT AND VACUUM BREAKER, 1/2" NPT INLETS, EZ INSTALL KIT

PRODUCT COMPLIANCE:
ASME A112.18.1 / CSA B125.1
NSF 61 - Section 9
NSF 372 (Low Lead Content)