

# FISHER

FISHER MANUFACTURING COMPANY TOLL FREE: 800-421-6162 - FAX: 800-832-8238  
customer@fisher-mfg.com - www.fisher-mfg.com

PRODUCT NAME:

FAUCET SDLH LAV PCA SPRAY 0.35 GPM

SPEC. FAHBLV-SDL

Customer/Wholesaler:

Date:

Job Name:

Model Specified:

Quantity:

Contractor:

Architect/Engineer:

MODEL:

1731 FAUCET SDLH LAV PCA SPRAY 0.35 GPM

OPTIONS OR MODIFICATIONS:

OTHER \_\_\_\_\_

FEATURES

CONTROL VALVE

- \* SINGLE DECK
- \* HOT AND COLD INDEX BUTTONS
- \* SWIVELLING SEAT DISKS
- \* STAINLESS STEEL SEATS
- \* STAINLESS STEEL SEAT SCREWS
- \* STAINLESS STEEL HANDLE SCREWS

SYSTEM LIMITS

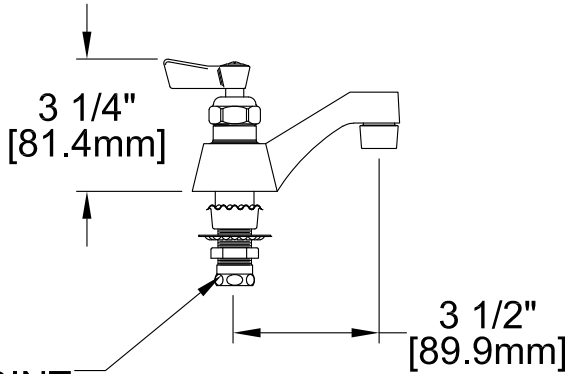
- \* TEMP: 40°F MIN. TO 160°F MAX.
- \* PRESSURE 200 PSI MAX. STATIC
- \* 0.35 GPM AT 60 PSI (1.3 L/min @410 KPa)

SHIPPING WEIGHT

- \* 2.0 LBS

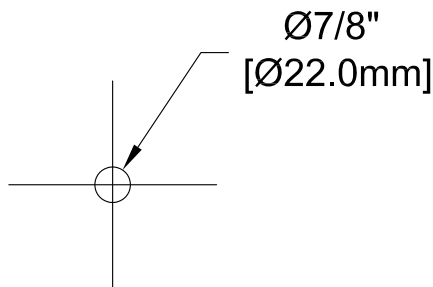
PRODUCT COMPLIANCE:

- \* ASME A112.18.1 / CSA B125.1
- \* NSF 61 - Section 9
- \* NSF 372 (Low Lead Content)



1/2" SLIP JOINT

ROUGH-IN:



Drawn: DF

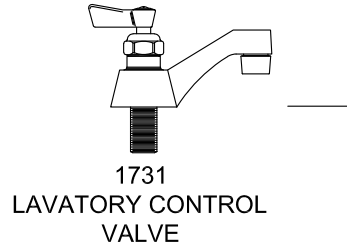
Checked: EM

Approved: DF

Date: 10/03/23

Sheet: 1 of 2

## Replacement Parts for Deck Mount Faucets



74223  
0.35 GPM  
AERATOR



WASHER CUP  
SERRATED

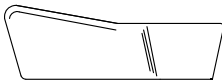


2000-7500  
SCREW

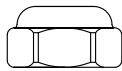


2000-8000  
RED BUTTON  
AND  
2000-8001  
BLUE BUTTON

2000-0002  
LEVER HANDLE KIT



LEVER HANDLE



2000-3002  
BIBB CAP



73657  
DUCK GASKET

54518  
RH SWIVEL STEM  
REPAIR KIT  
OR  
54526  
LH SWIVEL STEM  
REPAIR KIT



2000-5000  
WASHER



18821  
LH SWIVEL STEM  
OR  
18848  
RH SWIVEL STEM

2000-5003  
SEAT WASHER

1000-7502  
SCREW



73521  
LUBE