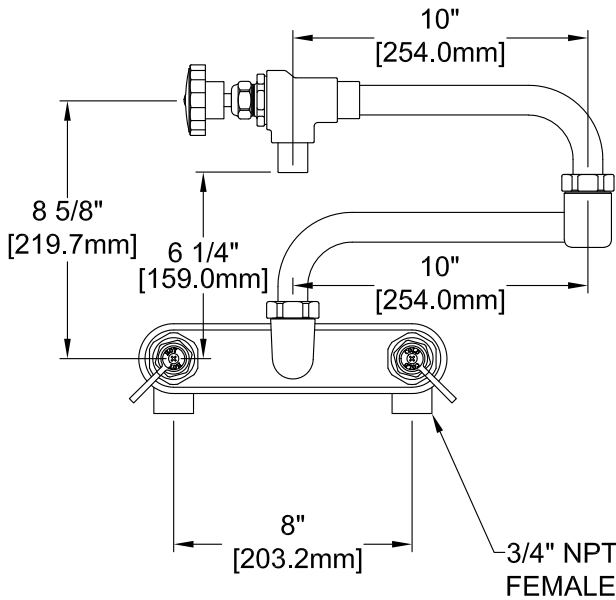


Customer/Wholesaler:	Date:	Job Name:	Model Specified:	Quantity:
Contractor:	Architect/Engineer:			



**MODEL:**

2283 3/4 FAUCET 8BSELH 10CS10DJ

**OPTIONS OR MODIFICATIONS:**

OTHER ELBOWS

**FEATURES**

- \* 8" BACKSPLASH
- \* SWIVELLING SEAT DISKS
- \* HOT SIDE STEM - LEFT HAND
- \* COLD SIDE STEM - RIGHT HAND
- \* STAINLESS STEEL SEATS
- \* STAINLESS STEEL SEAT SCREWS
- \* STAINLESS STEEL HANDLE SCREWS
- \* CLOSE ELBOWS

**SYSTEM LIMITS**

- \* TEMP: 40°F MIN. TO 160°F MAX.
- \* PRESSURE 200 PSI MAX. STATIC
- \* 29 GPM AT 80 PSI (109.7 L/min @550 KPa)

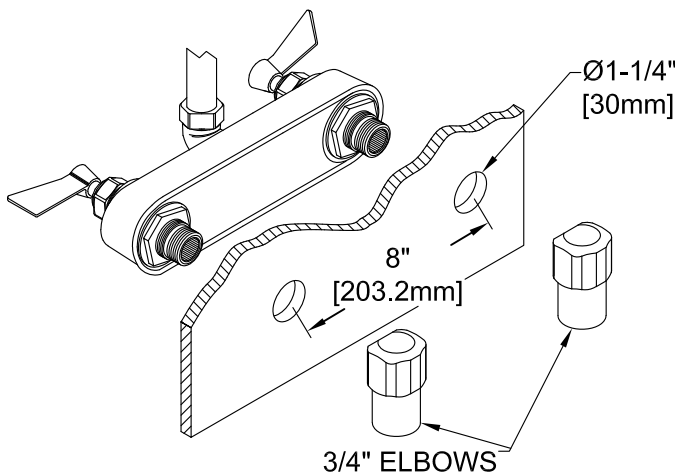
**SHIPPING WEIGHT**

- \* 10.0 LBS

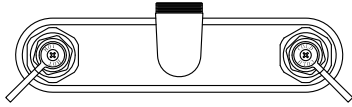
**PRODUCT COMPLIANCE:**

- \* ASME A112.18.1 / CSA B125.1
- \* NSF 61 - Section 9
- \* NSF 372 (Low Lead Content)

**ROUGH-IN:**



## Replacement Parts for 3/4" Backsplash Faucets



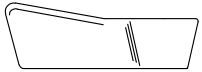
5400-CV  
CONTROL VALVE



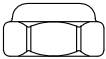
2000-7500  
SCREW



2000-8000  
RED BUTTON  
AND  
2000-8001  
BLUE BUTTON



LEVER HANDLE



2000-3002  
BIBB CAP



73657  
DUCK GASKET



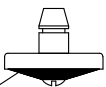
2000-5000  
WASHER



5000-0012  
RH CHECK STEM  
REPAIR KIT  
OR  
5000-0013  
LH CHECK STEM  
REPAIR KIT

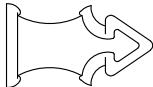


2000-6000  
SPRING

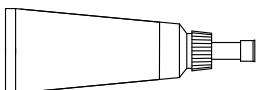


73453  
RETAINER  
ASSEMBLY

73550  
SEAT WASHER

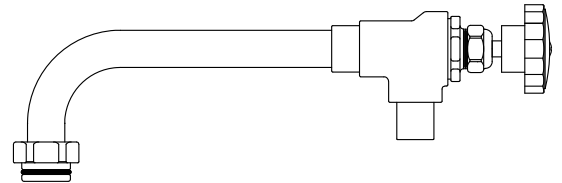


73521  
LUBE



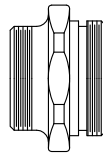
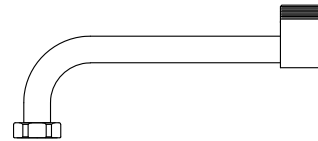
2992  
PST

5071  
10" CONTROL  
SWING  
SPOUT



2000-0002  
HANDLE LEVER KIT

5000-0003  
10" DJ SPOUT



73570  
RIGHT HAND  
STEM ADAPTER  
OR  
73569  
LEFT HAND  
STEM ADAPTER

5000-2103  
3/4" ELBOW

