

APPLICATION:

PRODUCT NAME:
REEL EXP 30 SV

JOB NAME:

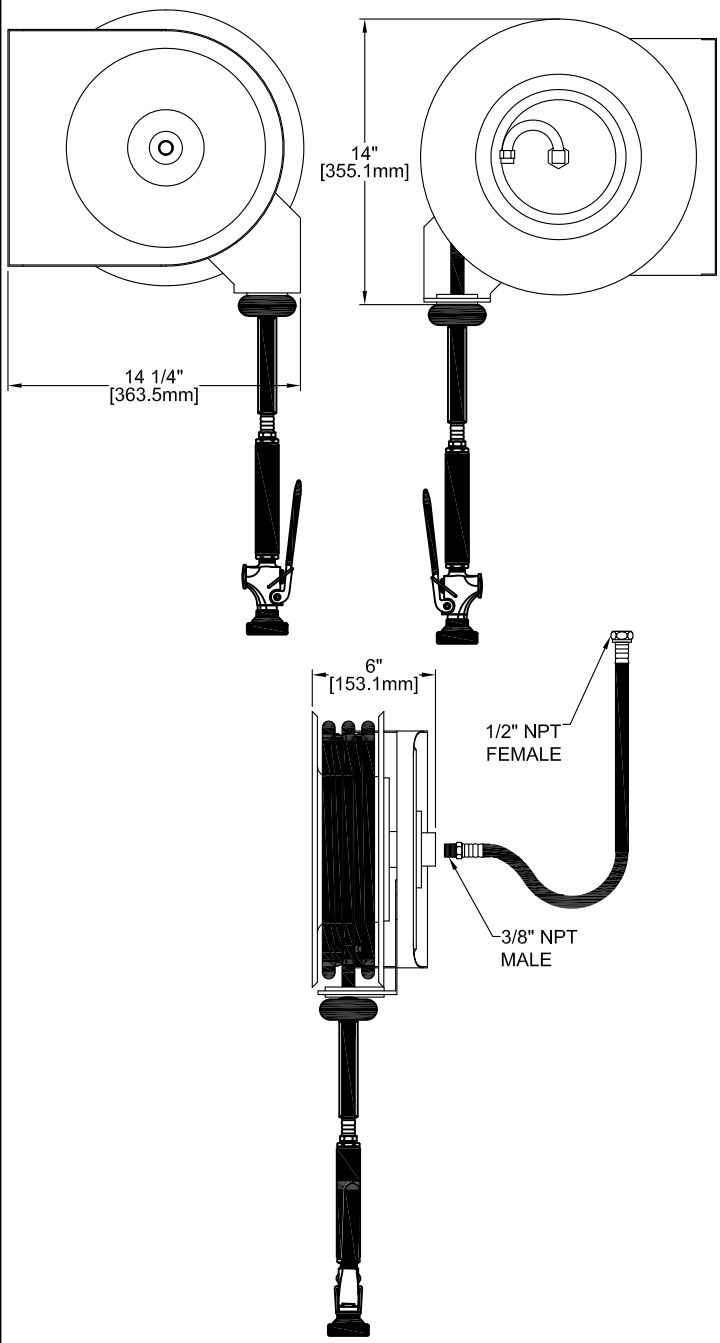
MODEL:

QUANTITY:

ITEM NO.:

- 29801 REEL EXP 30 SV WITH PRO SPRAY VALVE
- 75209 REEL EXP 30 SV WITH ULTRA SPRAY VALVE

OPTIONS OR MODIFICATIONS:
 OTHER _____



FEATURES

- REEL**
- * SELF-LOCKING
 - * EXPOSED HOSE
 - * 30' LENGTH REEL HOSE
 - * 18" LENGTH INLET HOSE
 - * 3 PLY FIBER REINFORCED RUBBER HOSE
 - * ADJUSTABLE BALL STOP

- PRO SPRAY VALVE**
- * NOZZLE THREADED INTO VALVE
 - * 2.65 GPM AT 80 PSI
 - * SHOWER SPRAY PATTERN

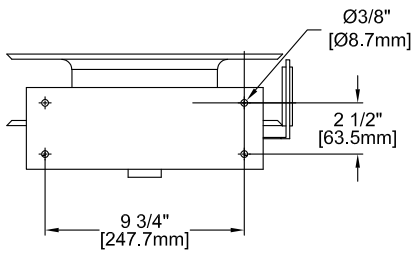
- ULTRA SPRAY VALVE**
- * LOWEST ENERGY USER - 1.15 GPM @ 60 PSI
 - * CLEANS FASTER - TEST PROVEN
 - * ENGINEERED TO LAST - NO 'O' RINGS TO LEAK
 - * INTERCHANGEABLE - FITS ALL BRANDS

- SYSTEM LIMITS**
- * TEMP: 40°F MIN. TO 160°F MAX.
 - * PRESSURE: 200 PSI MAX. STATIC

- * SHIPPING WEIGHT

SHIPPING WEIGHT
* 34.0 LBS

ROUGH-IN: SEE MOUNTING PLATE BELOW



FISHER MANUFACTURING COMPANY
TOLL FREE: 800-421-6162 - FAX: 800-832-8238
information@fisher-mfg.com - www.fisher-mfg.com