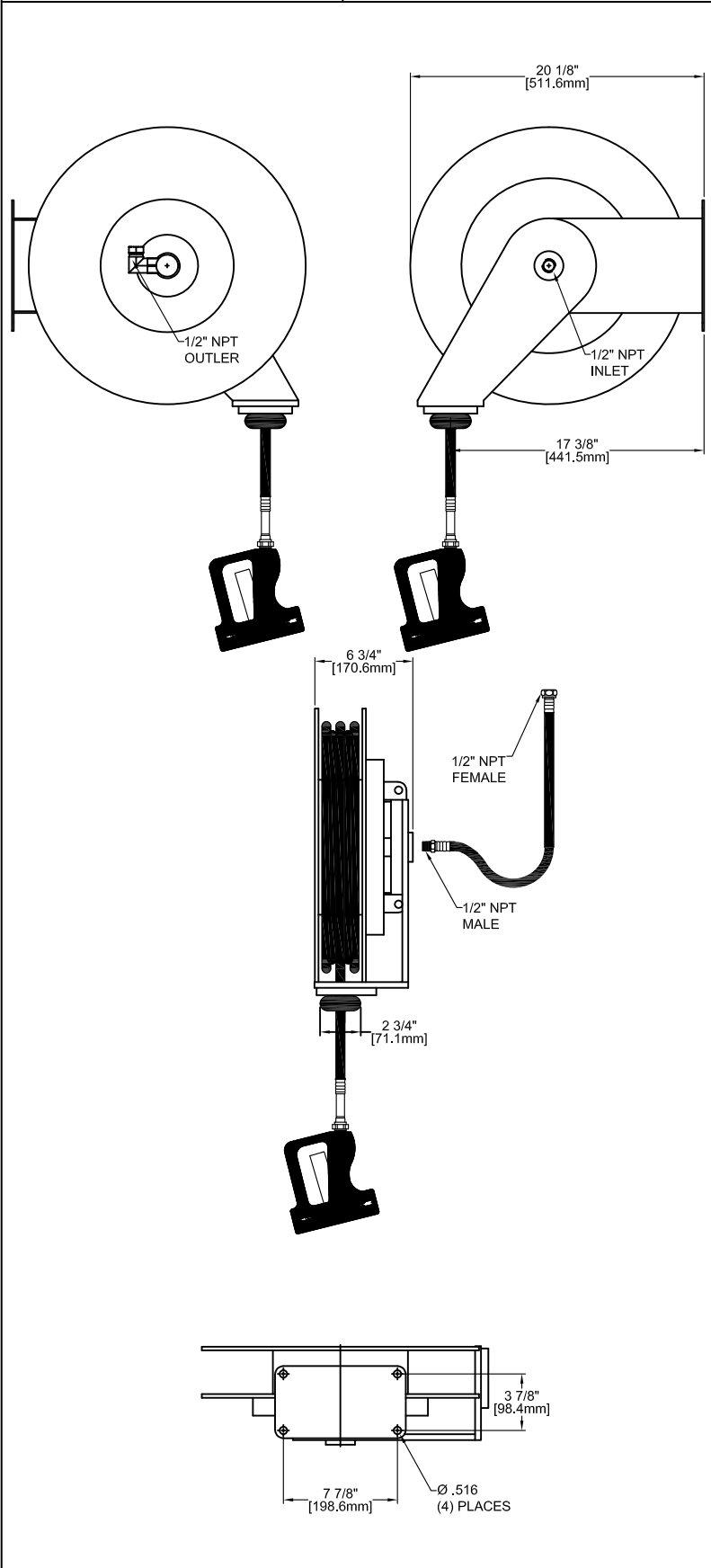


Customer/Wholesaler:	Date:	Job Name:	Model Specified:	Quantity:
Contractor:		Architect/Engineer:		



**MODEL:**

75397 50' LENGTH HOSE WITH SPRAY GUN

**OPTIONS OR MODIFICATIONS:**

OTHER \_\_\_\_\_

**FEATURES:**

**REEL RINSE**

- \* EXPOSED DESIGN
- \* STAINLESS STEEL CONSTRUCTION
- \* GUIDE ARM ADJUSTABLE TO 9 POSITIONS
- \* RATCHET LOCK AND EASY TENSION ADJUST
- \* STAINLESS STEEL OR BRASS FLUID PATH

**HOSE**

- \* 35' OR 50' LENGTH REEL HOSE
- \* 1/2" ID HIGH TEMPERATURE HOSE
- \* 3-PLY FIBER REINFORCED
- \* 24" LENGTH INLET HOSE
- \* ADJUSTABLE BALL STOP

**SPRAY GUN**

- \* STAINLESS STEEL CONSTRUCTION
- \* WATERPROOF NYLON COVER
- \* ERGONOMIC DESIGN
- \* LOCKING TRIGGER MECHANISM
- \* 7.0 GPM AT 80 PSI

**SYSTEM LIMITS**

- \* TEMP: 40° F MIN. TO 160°F MAX.
- \* PRESSURE 150 PSI MAX. STATIC

**SHIPPING WEIGHT**

- \* 75397 - 60.0 LBS